



Technical Data

Weatherproof Type A RCD Protected Socket Outlet

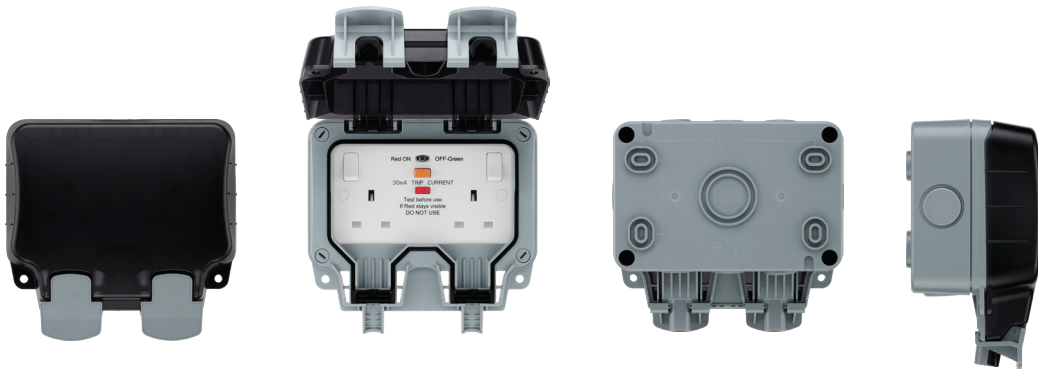
Brief product description:

IP rated accessories designed to protect against ingress from water jets and dust, with durable seals that maintain integrity and a robust polycarbonate housing for high impact resistance which will not crack or fade, ensuring longevity of life.

Features:

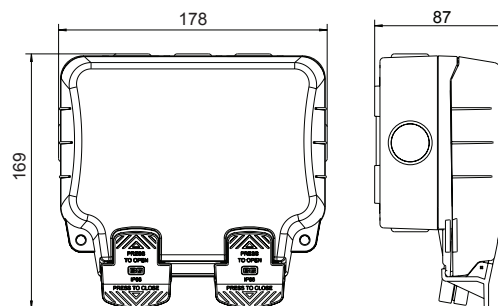
- Integrated Type A RCD to prevent the leakage of electrical current
- Colour coded terminals with backed out captive screws for easy installation
- Cover will stay open to allow for easy access to sockets
- See-through cover allows status of switches to be seen
- Fast fix - no separate screws, no screw covers, 150° rotation
- Patented cable entry - prevents accidental opening of cover by pulling of connected cable
- Large open/closer paddles for easier operation, flush fit to prevent accidental damage
- Multiple gland entry positions: 8 versatile entry options with M25 capability with an easy push out blank plug design. 1 drill out entry 20/25mm in rear face
- 2 Earth terminals in socket, 1 Earth terminal in mounting box

Product Images



WP22ARCD

Line Diagrams



WP22ARCD



Weatherproof Type A RCD Protected Socket Outlet

Technical Specifications

Standard(s)	BS 1363-2:2016+A1:2018 & BS 7288
Rating	13 Amp 250V A
RCD Type	A
RCD Mechanism	Latching (Passive) - socket returns to original state when power is resumed
Trip Current	30mA trip current, 40mS trip speed
Switch Type	Single pole
Contact Gap	3.0mm minimum - rocker switch
Terminal Capacity	3 x 2.5mm ² 3 x 4mm ² 2 x 6.0mm ²
IP Rating	IP66
RoHS Directive	Yes
WEEE Directive	Yes
Number of cable entries	8 x 20mm. 1 in each of the 2 sides and 3 in each of the top and bottom faces 1 drill out entry 20/25mm in rear face



Packaging Information

Cat No.	Description	Packaging Type			Pack Quantity			Barcode		
		Product	Inner Box	Outer Box	Each	Inner Box	Outer Box	Individual	Inner Box	Outer Box
WP22ARCD	2G 13A RCD SW SKT	Printed Box	/	Carton	1	/	10	5050765236034	/	5050765236041

Weights & Dimensions

Cat No.	Description	Dimensions (H x W x D) cm			Weight (kg)			CBM (m ³)
		Unpacked Product	Packed Product	Outer Box	Unpacked Product	Packed Product	Outer Box	Outer Box
WP22ARCD	2G 13A RCD SW SKT	16.9 x 17.8 x 8.7	19.7 x 18.2 x 9.7	19.6 x 38.3 x 49.8	0.63	0.73	7.74	0.03738