

SANGAMO

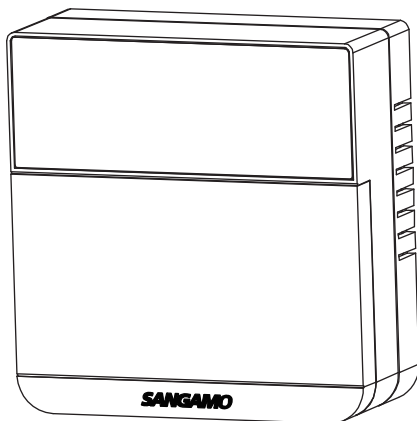
Electronic Frost Thermostat

Model:CHPRSTATF

The latest ESP product manuals can be found on-line:



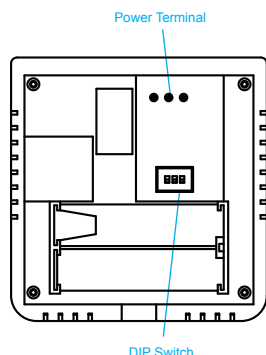
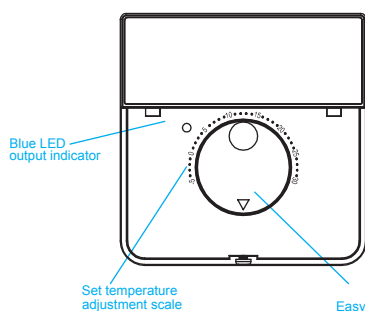
1 // Technical Specifications:



- 230V AC 50Hz
- This product is of Class II Construction and must not be earthed
- Switch Rating: 10A
- Switch Type: Single pole, single throw (SPST)
- Connection Type: 3 wire
- Installation Type: Surface mount with wall plate
- Micro Disconnection: Type 1.B control action
- Operating Temperature Range: -5°C to +50°C
- Set Temperature Range: -5°C to +30°C
- Temperature Swing Adjuster: 0.5°C or 1.0°C set by DIP switch
- TPI Adjustment: ON or OFF set by switch
- Boiler Type Adjustment: 3CYC=Oil, 6CYC=Gas, set by DIP switch
- Flexible wire size: 0.5-1.5mm²
- Rigid wire size: 0.5-2.5mm²
- Output Light: Blue LED
- Dimensions(H*W*D): 86*88*38mm

• CHPRSTATF Front View:

• CHPRSTATF BACK View:



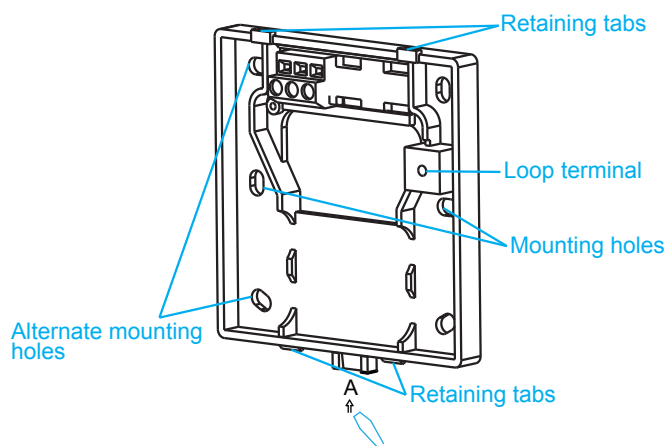
2 // Siting:

- The CHPRSTATF must be sited where it will not be influenced by heat sources, for example above a radiator or a television or a refrigerator/freezer or in direct sunlight or subjected to draughts.
- The product requires air circulation, so do not position above or below shelving or other wall mounted obstacles.
- It should be mounted approximately 1.5 metres above floor level.

3 // Installation:

- Ensure the mains supply is switched off and the circuit supply fuses are removed or the circuit breaker turned off.
- Remove the mounting plate from the unit by prying off the mounting plate in position A (as showing in following diagram) with a screwdriver, and pivoting the bottom of the unit outwards. The CHPRSTATF body can then be lifted off.
- Using mounting screws provided secure the mounting plate directly to the wall or the passbox.
- Set the required DIP Switch position (refer to DIP Switch Setting below).
- Carefully remove the plastic terminal cover. Terminate the cables into the terminal block ensuring correct polarity is observed and that all bare conductors are sleeved (See Connection Diagram). Reposition the plastic terminal cover and screw into place.
- Engage the top of the CHPRSTATF onto the mounting plate retaining tabs, and push firmly to reinstall the unit onto the mounting plate.

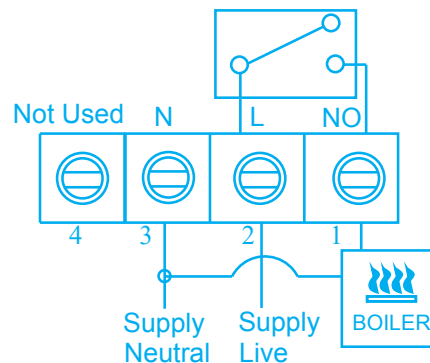
• CHPRSTATF Wall Plate:



4 // Wiring Diagram:

Connect the 230V 50Hz mains supply and load cables to the terminal block which are marked as follows.

- Note: 1. Check boiler instructions before connecting.
- 2. The 4th terminal is not to be used.



230V AC
50Hz
MAINS
SUPPLY

230V 50Hz Mains Supply	
Live Supply (Brown or Red) to	L
Neutral Supply (Blue or Black) to	N
A 'Loop Terminal' is provided should a 3 core cable be used	
Load (Boiler)	
Switch Live (Brown or Red) to	NO

4 // DIP Switch Settings:

- The temperature swing can be adjusted between 0.5°C and 1.0°C by selecting the desired DIP switch position found on the rear of the unit(0.5°C as default). We suggest using 0.5°C position unless the boiler turns ON and OFF too rapidly.
- The TPI (Time Proportional & Integral) can also be selected ON or OFF using the DIP switches on the rear of the unit(TPI on as default). We suggest setting this to the ON position. As the room temperature approaches the set temperature, the thermostat will intermittently turn the heating ON and OFF, to help prevent temperature over-shoot. When TPI is on, the default proportional band is 3°C. If change the thermostat from one room to another room, users need to set the DIP switch to OFF position first and supply power to the thermostat, and then cut off power to the thermostat and reset to ON position again, so that the thermostat can relearn your room characteristics for best TPI performance.

- The boiler type can be set to either 3CYC (Oil) or 6CYC (Gas), using the DIP switches on the rear of the unit(6CYC as default).

5 // Operation Guide:

- Restore mains to the unit after making sure to check all system wiring is complete, and after you have selected the desired DIP switch settings.
- Use the dial adjuster to set the desired temperature.
- The Blue LED output indicator is lit when the room temperature is below the desired value, indicating that the thermostat is calling for heat from the boiler.
- Once the room reached the desired temperature the LED turns OFF and the CHPRSTATF ceases to call for heat from the boiler.

Date Issued	Issue No	Description
J20	A30-CHPRSTATF-01-2	Rev.1

Health & Safety

This unit must be installed by a suitably qualified person in accordance with the latest IEE Wiring Regulations.

Isolate mains supply before commencing installation. Please read all installation instructions before proceeding.

Example circuit diagrams for typical installations are shown. These diagrams are schematic and should be used as a guide only. Please ensure that all installations comply with the current IEE regulations. For reasons of space and clarity not every system has been included and the diagrams have been simplified, for instance some Earth connections have been omitted. Other control components shown in the diagrams i.e. Valves, Room Stats etc. are general representations only. However, the wiring detail can be applied to the corresponding models of most manufacturers.

Your product is not user serviceable. Do not dismantle this product.

Due to our policy of continuous product improvement and development, the specifications in this guide may be subject to change without prior notice.

Elite Security Products
Unit 7, Target Park, Shawbank Road,
Lakeside, Redditch, B98 8YN

Tel: 01527 515150
Fax: 01527 515143
Email: info@espuk.com
Web: www.espuk.com

