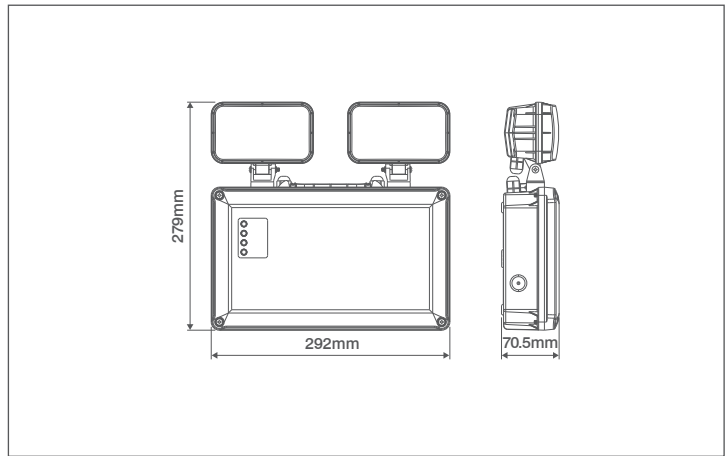


Product Code: OVEM3610WH

Description: 2 X 3W Emergency LED Non-Maintained Twin Spot - IP65



General Information

Dimensions	292mm (L) x 279mm (W) x 68mm (D)
Materials	Housing: Polycarbonate Diffuser: Polycarbonate
Finish	White
Weight	1.08Kg
Ingress Protection	IP65
Mounting	Wall
Warranty	4 Years

Luminaire Output

Colour Temperature	6500K
LED Lifetime (L70)	50,000 Hours
Beam Angle	120°
Emergency Luminous Flux	368lm

Emergency Information

Emergency Duration	3 hours minimum
Charging Time	24 Hours
Battery Specification	3.6V 3000mAh Ni-Cd Battery - Serial

Supply & Power

Input Voltage & Frequency	220-240V ~ 50/60Hz
Electrical Safety	Class I
Input Power	6W
Operation Mode	Non-maintained Only
Ambient Temperature (Ta)	0°C - +40°C
Critical Temperature	+70°C
Cable Entry	2 x 20mm Diameter Knockouts

Replacement Battery

OVEMB3630NCS	3.6V 3000mAh Ni-Cd Battery - Serial
--------------	-------------------------------------

Escape Route (1 Lux Min.)

Mounting Height	Axial/Wall	Axial/Axial	Transverse/Axial	Transverse/Transverse	Transverse/Wall
2.0m	3.7	7.3	7.3	7.3	3.7
2.5m	4	8	8	8	4
3.0m	4.4	9	9	9	4.4

Illuminance values based on a maintenance factor of 0.8
Photometric spacing data 1 Lux (centre to centre in metres on emergency escape routes)

Open Areas

Mounting Height	Axial/Wall	Axial/Axial	Transverse/Axial	Transverse/Transverse	Transverse/Wall
2.0m	3.1	7	7	7	3.1
2.5m	3.3	7.5	7.5	7.5	3.3
3.0m	3.6	8.9	8.9	8.9	3.6

Illuminance values based on a maintenance factor of 0.8

