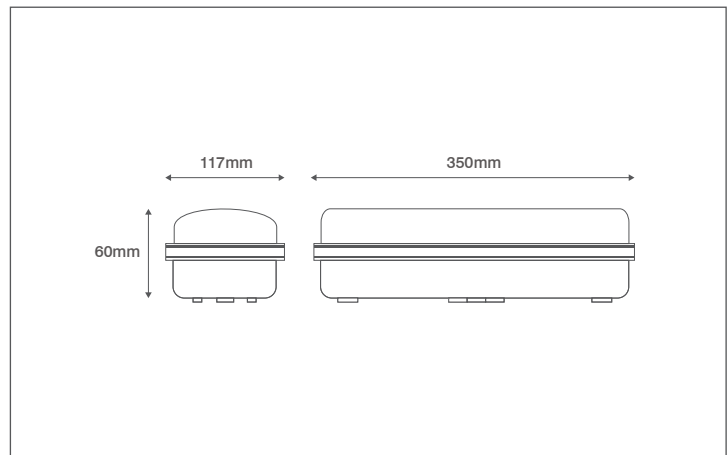


Product Code: OVEM1311

Description: 3W Emergency LED Maintained Bulkhead - IP65



### General Information

Dimensions	350mm (L) x 116mm (H) x 60mm (D)
Materials	Housing: Polycarbonate Diffuser: Polycarbonate
Finish	White
Weight	0.5Kg
Ingress Protection	IP65
Warranty	4 Years

### Supply & Power

Input Voltage & Frequency	220-240V ~ 50/60Hz
Electrical Safety	Class II (Double Insulated)
Input Power	3W
Operation Mode	Maintained or Non-maintained
Ambient Temperature (Ta)	0°C - +40°C
Critical Temperature	+70°C
Cable Entry	Rear & 3 Side Entries

### Luminaire Output

Colour Temperature	5500K
LED Lifetime (L70)	30,000 Hours
Beam Angle	120°
Typical Luminous Flux	120lm
Emergency Luminous Flux	110lm

### Emergency Information

Emergency Duration	3 hours minimum
Charging Time	24 Hours
Battery Specification	3.6V 1200mAh Ni-Cd Battery - Serial

### Accessories & Replacement Battery

OVEMB3612NCS	3.6V 1200mAh Ni-Cd Battery - Serial
OVEMSP004	Emergency Bulkhead Flush Mounting Kit
OVEMSP003	Emergency Bulkhead Legends

### Escape Route (1 Lux Min.)

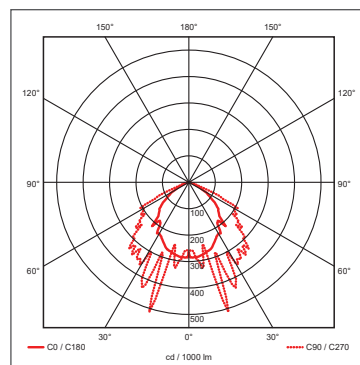
Mounting Height	Axial/Wall	Axial/Axial	Transverse/Axial	Transverse/Transverse	Transverse/Wall
2.0m	3	7	6	5.5	2
2.5m	3	8	7	6	2.5
3.0m	3.2	8.8	7.8	6.8	2.6

Illuminance values based on a maintenance factor of 0.8  
Photometric spacing data 1 Lux (centre to centre in metres on emergency escape routes)

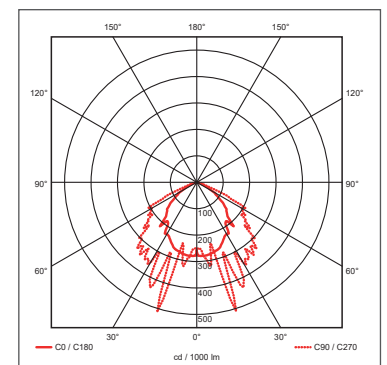
### Open Areas

Mounting Height	Axial/Wall	Axial/Axial	Transverse/Axial	Transverse/Transverse	Transverse/Wall
2.0m	2.5	6.5	6	5.5	2
2.5m	3	7	6.5	5.5	2
3.0m	3	7	6.5	6	2.5

Illuminance values based on a maintenance factor of 0.8



Main (AC)



Emergency (DC)

