

Mauna Plus Anti-glare

6W Dimmable LED Fire Rated Downlight with Bezel Finish Options



Overview

The Kosnic Mauna Plus Anti-glare 6W Dimmable Fire Rated Downlights are suitable for 30, 60 and 90 minute applications. They have a switchable CCT function. The downlights are also dimmable with mains dimmer switches and have a choice of additional bezel colours.

Features

- Colour temperature selection: 2700K, 3000K, 4000K and 6000K
- Dimmable
- IP65 Luminaire
- Class II driver
- BS 476 Part 21 / BS EN 1365-2 Fire-Rated to 30, 60 and 90 minutes
- Compatible with Kosnic emergency module
- Choice of additional magnetic bezel finishes
- Supplied with white and satin chrome bezel, other interchangeable magnetic bezels available
- Can be installed under insulation
- High lumen output
- Long life of 50,000h
- Instant start
- Negligible UV output

Specifications

Product Code	MAU06AG
ID	06602
Voltage	220-240 Vac 50-60 Hz
Current (mA)	29
Rated Power (W)	6
CCT	2700k Warm White 3000k Warm White 4000k Cool White 6000k Day Light
Power Factor	0.9
Inrush Current (A)	10 / 150 μ s
Luminous Flux (lm)	400 (2700k) 430 (3000k) 470 (4000k) 450 (6000k)
Nominal Lifetime (h)	50000
Lifetime (L70B50) (h)	50000
Lifetime (L80B10) (h)	50000
Lifetime (L90) (h)	37000
Blue Light Hazard	RG1
Glow Wire Temperature (°C)	650
Dimensions (LxWxD) (mm)	66 x 93 \varnothing
Weight (Kg)	0.25
Protection	Class III Luminaire, Class II driver, IK07, IP65 Luminaire, IP20 driver
Cut-out (mm)	74
Ambient Temperature (°C)	-30 to 40
Emergency Module Battery	CEL03LIC/N
Emergency Luminous Flux (lm)	150 (with CEL03LIC/N)

Light Source Specifications

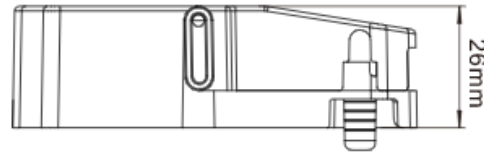
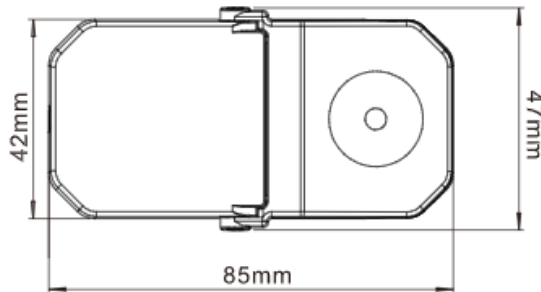
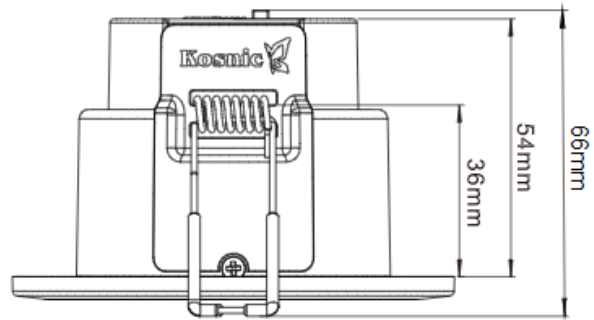
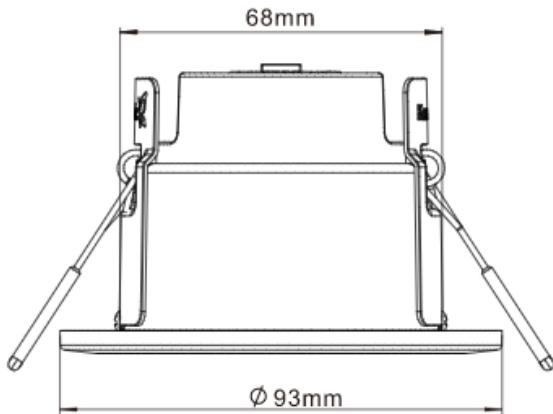
Lighting Technology used	LED
Directional / Non-Directional	DLS
Cap Type / interface	Connector
Mains / Non-Mains	MLS
Connected Light Source	N
Colour Tuneable Lightsource	N
High luminance light source	N
Anti-glare shield	Y
Dimmable	Y
Energy Consumption in on-mode (kWh/1000h)	6
Energy Efficiency Class	G
Useful Luminous Flux (lm)	370 (2700k) 400 (3000k) 430 (4000k) 420 (6000k)
Beam Angle Correspondence (°)	90
CCT	2700k, 3000k, 4000k, 6000k
On-mode power (Pon) (W)	6
Standby power (Psb) (W)	0
Networked standby power (Pnet) (W)	N/A

CRI	82
Dimensions (LxWxD) (mm)	93 x 93 x 66
Claim of equivalent power	No
Equivalent power (W)	N/A
Chromaticity Coordinates	0.462 (x) 0.415 (y) (2700k) 0.432 (x) 0.399 (y) (3000k) 0.383 (x) 0.373 (y) (4000k) 0.316 (x) 0.338 (y) (6000k)
Peak luminous intensity (DLS) (cd)	420 (2700k) 440 (3000k) 490 (4000k) 480 (6000k)
Beam angle (DLS) (°)	60
R9 CRI value (LED/OLED)	6 (2700k) 15 (3000k) 28 (4000k) 9 (6000k)
Survival Factor	0.9
Lumen maintenance factor	0.96
Displacement factor (Mains LED/OLED)	0.95
Colour consistency in mcdam ellipses (Mains LED/OLED)	6
LED light source rep. a fluorescent light source without integrated ballast of a particular wattage (Mains LED/OLED)	N
Rep. W claim (Mains LED/OLED)	N/A
Flicker metric (pst LM) (Mains LED/OLED)	0.1
Stroboscopic effect metric (SVM)	0.6

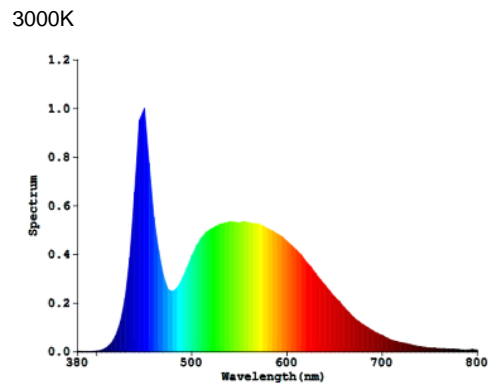
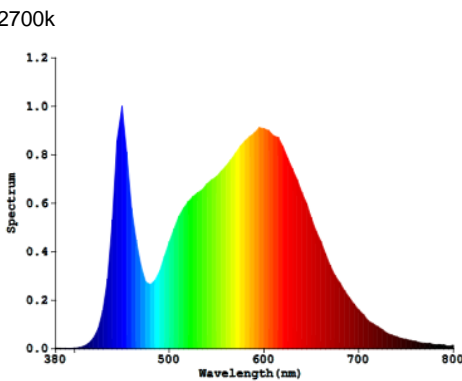
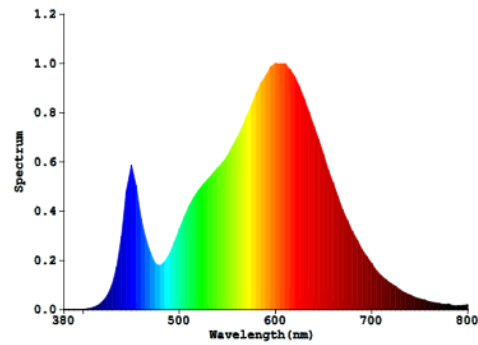
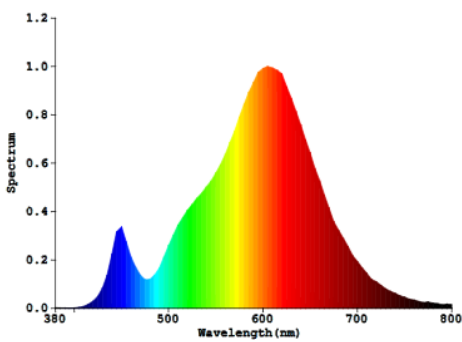
Accessories

Type	Order Code	Description
Emergency module	CEL03LIC/N	Three hour rated Li-Ion emergency module
Emergency kit	EMPAD01	Universal Non-maintained emergency kit
Bezel	KPT-06DTBZ-BAS	Brass magnetic bezel
Bezel	KPT-06DTBZ-ABR	Antique Brass magnetic bezel
Bezel	KPT-06DTBZ-BLK	Matt Black magnetic bezel
Bezel	KPT-06DTBZ-CHM	Polished Chrome magnetic bezel
Bezel	KPT-06DTBZ-SCH	Satin Chrome magnetic bezel
Bezel	KPT-06DTBZ-WHT	White magnetic bezel
Dimmer	CYDIMRFT1	RF wireless triac dimmer

Dimensions



Photometric Information



Compatibility

The operation of common mains voltage AC dimmers appears similar, but the electrical characteristics vary significantly. While this makes no difference to filament lamps, the effect on the electronics within the LED driver can be dramatic and incompatible. The recommendations given are based on laboratory testing of the volume shown and should be used as guidance. The complicated application environment and huge variation in dimmer construction mean it is not possible to guarantee that a particular dimmer will work perfectly. In extreme cases incompatible dimmer switches may damage the LED drivers. Please ensure that the set-up is tested for performance before committing to a large project.

Recommended Dimmer Switches:

Manufacturer	Model	Marked Rating	Notes
Aurora	AU-DSP400X	400W	1 to 15 lamps. Approximately 90% dimming.
BG	DM400AP	5-50W LED	1 to 15 lamps. Approximately 80% dimming.
Click	CMA145 (or MD9022)	250W	2 to 15 lamps. Approximately 65% dimming.
CYANIRIS	CYDIMRFT1 (Remote)	2 x 288W	1 to 15 lamps. Approximately 95% dimming.
Danlers	DQDGD MK	400W	2 to 15 lamps. Approximately 80% dimming.
Hamilton	LEDITB100	100W	1 to 15 lamps. Approximately 95% dimming.
Hamilton	H-LEDStat/GRID100LED	100W	1 to 15 lamps. Approximately 95% dimming.
Hamilton	L400/2 (or N4002)	400W	1 to 15 lamps. Approximately 55% dimming.
MK	K1523***LV (Logic Plus)	4-70W LED	1 to 10 lamps. Approximately 80% dimming.
Robus	LOADPRO RLA200DT-01	133W	1 to 15 lamps. Approximately 95% dimming.
Varilight	Eclique (JDQI401S)	400W	2 to 15 lamps. Approximately 75% dimming.
Varilight	V-Dim	400W	2 to 15 lamps. Approximately 60% dimming.
Varilight	V-Pro	100W LED	1 to 15 lamps. Approximately 95% dimming.
Zano	ZGRID500	50W LED	1 to 15 lamps. Approximately 80% dimming.
Zano	ZGRIDLED	250W LED	1 to 15 lamps. Approximately 95% dimming.