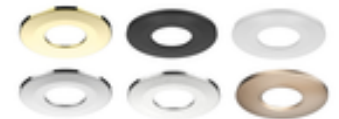




Brass, Matt Black, Matt White,  
Polished Chrome, Satin Chrome  
& Antique Brass

Interchangeable bezels  
sold separately



Brass, Matt Black, Matt White,  
Polished Chrome, Satin Chrome  
& Antique Brass

Interchangeable bezels  
sold separately

Push-in wire clip



CCT switch located at  
the side of the downlight

## Mauna Plus Fixed

### Downlight, Fire Rated Fixed LED Dim Sw CCT

The Kosnic 6W Dimmable Fire Rated Downlights are suitable for 30, 60 and 90 minute applications. They have a switchable CCT function so that the installer can select 3000K, 4000K or 6000K. The downlights are dimmable with mains dimmer switches, compatible with a Kosnic emergency module and have a choice of additional magnetic bezel colours. The downlight is supplied with a white finish as standard plus a satin chrome magnetic bezel.

**MAU206PL**

## Specification

|                                     |   |
|-------------------------------------|---|
| Voltage (eg 220-240 Vac 50/60Hz)    | 220-240Vac 50/60Hz  |
| Current (mA)                        | 30 (23)   |
| Rated Power (W)                     | 6 (4.5)   |
| CCT Words                           | Warm White (Warm White, Cool White, Day Light)  |
| CCT (K)                             | 3000 (2700, 4000, 6000)   |
| Nominal Lifetime (h)                | 50000   |
| L70B50 Lifetime (h)                 | 50000   |
| L80B10 Lifetime (h)                 | 50000   |
| L90 Lifetime (h)                    | 37000   |
| Total Luminous Flux (lm)            | 640 (6W, 3000k) - default, 580 (6W, 2700k), (690 (6W, 4000k), 650 (6W, 6000k), 460 (4.5W, 2700k), 480 (4.5W, 3000k). 510 (4.5W, 4000k), 490 (4.5W, 6000k) |
| Power Factor                        | 0.88 (6W), 0.86 (4.5W)  |
| Blue Light Hazard                   | RG1   |
| Glow wire temperature(°C)           | 650   |
| Dimensions L x W x D (mm)           | 46mm*φ86mm  |
| Cut-Out (mm)                        | 64  |
| Weight (kg)                         | 0.18  |
| In-rush current (peak/duration) (A) | 10A 150µs   |
| Protection Rating                   | Class II  |
| IK Rating                           | IK07  |
| IP Rating                           | IP65 Luminaire,IP20 driver  |
| Ambient Temperature Range (°C)      | -30 to 40   |
| Emergency Luminous Flux (lm)        | 150 (with CEL03LIC/N)   |
| Driver Part Number                  | 5RS215-224-248-D  |
| Ripple Current (%)                  | <30%  |
| Output Current (mA)                 | 70 / 95   |
| Dimensions (L x W x D) (mm)         | 85 x 47 x 30  |

|                               |                      |
|-------------------------------|----------------------|
| Input Voltage                 | 200-240 Vac 50/60 Hz |
| Maximum Input Current (mA)    | 23 / 30              |
| Maximum Power (W)             | 3.8 / 5.1            |
| Output Voltage (Vdc)          | 54                   |
| Maximum Case Temperature (°C) | 75                   |
| Depth (mm)                    | 86                   |

## Light Source Specification

|  |  |
|--|--|
| Lighting Technology Used                     | LED  |
| Directional / Non Directional (DLS/NDLS)     | DLS  |
| Light Source Cap Type (or other interface)   | Terminal   |
| Mains / Non-Mains (MLS/NMLS)                 | MLS  |
| Connected Light source (Y/N)                 | N  |
| Colour Tunable Light Source (Y/N)            | N  |
| High Luminance Light Source (Y/N)            | N  |
| Anti-Glare Shield (Y/N)                      | N  |
| Dimmable (Y/N/Specific dimmer)               | Y  |
| Energy Consumption in on-mode (kWh/1000H)    | 6 (5)  |
| Energy Efficiency Class (NEW FORMULA)        | F  |
| Useful Luminous Flux (lm)                    | 6W - 450 (2700k), 490 (3000k), 530 (4000k), 500(6000k) / 4.5W - 360 (2700k), 380 (3000k), 410 (4000k), 390 (6000k) |
| Beam Angle correspondence (in 360°/120°/90°) | in 90°   |
| CCT  | 2700, 3000, 4000, 6000   |
| On-Mode Power (Pon) (W)                      | 6 (4.5)  |
| Standby Power (Psb) (W)                      | 0  |
| Networked Standby Power (Pnet) (W)           | N/A  |
| CRI  | 82   |
| CRI (min)                                    | 80   |
| CRI (max)                                    | 84   |
| Height (mm)                                  | 46   |

|   |   |
|---|---|
| Width (mm)  | 86  |
| Depth (mm)  | 86  |
| Claim of Equivalent Power? (Y/N)  | N   |
| Equivalent Power (W)  | N/A   |
| Chromaticity Co-Ordinates (X)   | 0.467 (2700k), 0.438 (3000k), 0.384 (4000k), 0.318 (6000k)  |
| Chromaticity Co-Ordinates (Y)   | 0.424 (2700k) 0.405 (3000k), 0.373 (4000k), 0.334 (6000k)   |
| Peak Luminous Intensity (DLS) (cd)  | 6W - 420 (2700k), 460 (3000k), 510 (4000k), 480 (6000k) / 4.5W - 330 (2700k), 350 (3000k), 390 (4000k), 380 (6000k) |
| Beam Angle (DLS)  | 65  |
| Beam Angle (min)(DLS)   | 60  |
| Beam Angle (max) (DLS)  | 70  |
| R9 CRI (LED/OLED)   | 8 (2700k), 16 (3000k), 28 (4000k), 12 (6000k)   |
| Survival Factor (x.xx)  | 0.9   |
| Lumen Maintenance Factor (x.xx)   | 0.96  |
| Displacement Factor   | 0.96 (6W), 0.92 (4.5W)  |
| Colour Consistency in Mcadam Ellipses (Mains LED/OLED)  | 6   |
| LED light source replaces fluorescent without integrated ballast of particular wattage (Mains LED/OLED) (Y/N) | N   |
| Replacement W Claim (Mains LED/OLED) (W)  | N/A   |
| Flicker metric (pst LM) (x,x)   | 0.1   |
| Stroboscopic effect metric (SVM) (x,x)  | 0.5 (2700k), 0.7 (3000k), 0.4 (4000k), 0.5 (6000k)  |

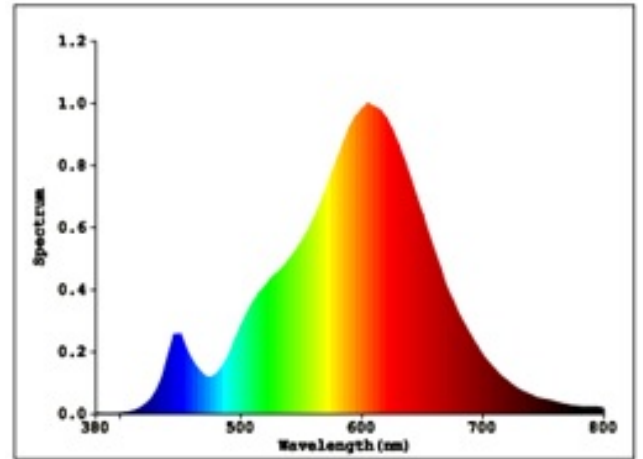
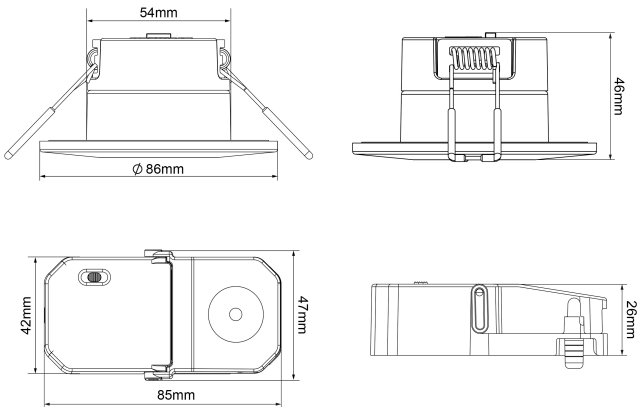
## Optional Gears and Accessories

|               |  |
|---------------|--|
| Component 1   | Mains Emergency module CEL03LIC/N        |
| Component 2   | Neka Emergency Kit EMPAD01               |
| Component 3   | RF Controlled Triac Dim Module CYDIMRFT1 |
| Accessories 1 | Brass Bezel KPT-06DFBZ-BAS               |
| Accessories 2 | Bezel KPT-06DFBZ-ABR                     |
| Accessories 3 | Bezel KPT-06DFBZ-BLK                     |

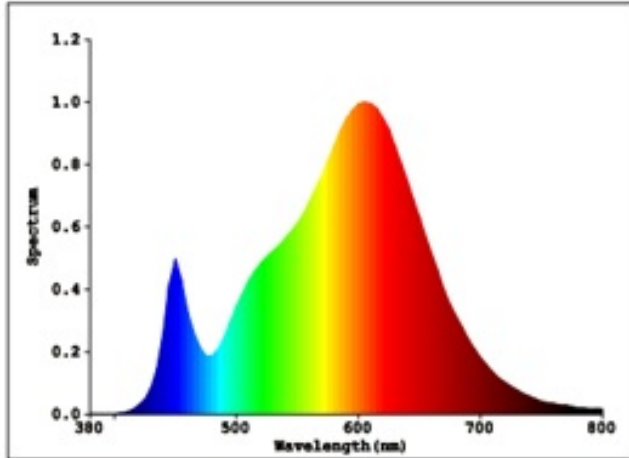
---

|                |                       |
|----------------|-----------------------|
| Accessories 4  | Bezel KPT-06DFBZ-WHT  |
| Accessories 5  | Bezel KPT-06DFBZ-CHM  |
| Accessories 6  | Bezel KPT-06DFBZ-SCH  |
| Accessories 7  | Bezel KPT-06DFBZ-SBAS |
| Accessories 8  | Bezel KPT-06DFBZ-SABR |
| Accessories 9  | Bezel KPT-06DFBZ-SBLK |
| Accessories 10 | Bezel KPT-06DFBZ-SWHT |
| Accessories 11 | Bezel KPT-06DFBZ-SCHM |
| Accessories 12 | Bezel KPT-06DFBZ-SSCH |

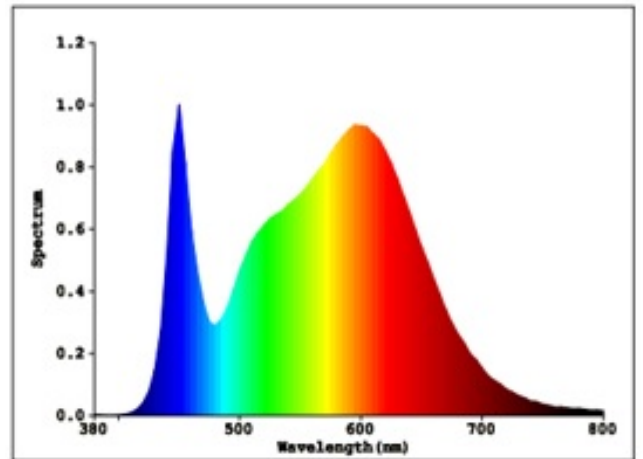
## Technical Drawings



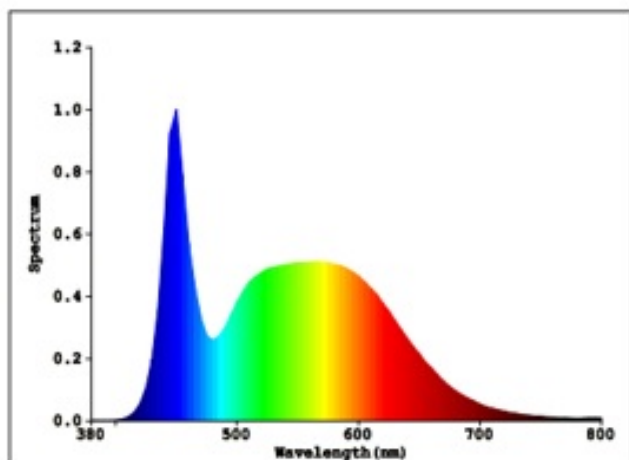
2700K



3000K



4000k



6000K