

ZINC
OUTDOOR

Reno 10W Recess With PIR Sensor

INS ZN 35690 - A



Instruction

The product is an energy-saving automatic sensor lamp. It can identify day and night. The lamp can turn on when one enters detection field and can turn off automatically when one leaves detection field.

SPECIFICATION:

Power Source: 220-240V/AC

Power Frequency: 50/60Hz

Ambient Light: <3-2000LUX (adjustable)

Time Delay: Min.10sec±3sec

Max.5min±1min

Rated Load: Max. 8W(500LM)

Detection Range: 360°

Detection Distance: Max.6m(<24!)

Working Temperature: -20~+40!

Working Humidity: <93%RH

Installation Height: 1.8-3m

Detection Moving Speed: 0.6-1.5m/s

FUNCTION:

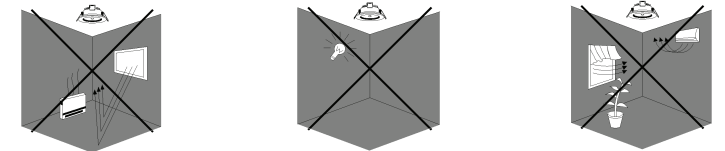
- Can identify day and night: The consumer can adjust working state in different ambient light. It can work in the daytime and at night when it is adjusted on the “sun” position (max). It can work in the ambient light less than 3LUX when it is adjusted on the “moon” position (min). As for the adjustment pattern, please refer to the testing pattern.
- Time-Delay is added continually: When it receives the second induction signals within the first induction, it will restart to time from the moment.
- Adjustable Time Delay: the length of time delay could be set according to the customers' requirement, the minimum time of this item is 10sec±3sec, and the maximum is 5min±1min.



INSTALLATION ADVICE:

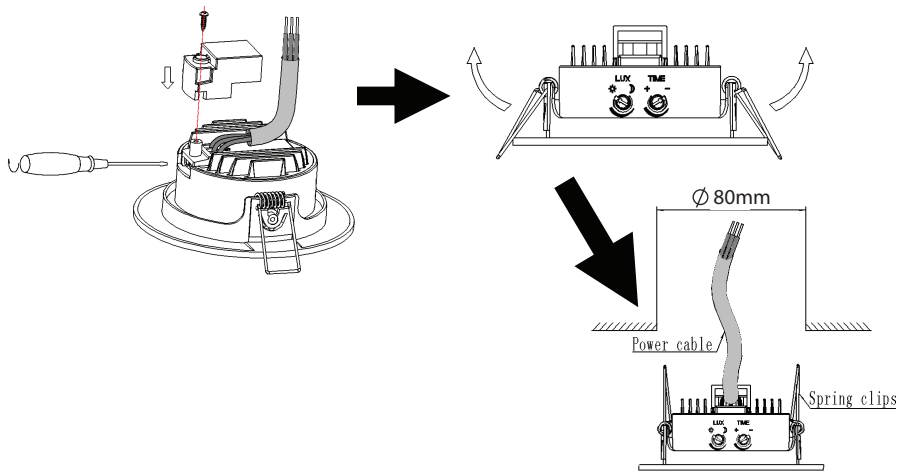
As the detector responds to changes in temperature, avoid the following situations:

- Avoid pointing the detector towards objects with highly reflective surfaces, such as mirrors etc.
- Avoid mounting the detector near heat sources, such as heating vents, air conditioning units, light etc.
- Avoid pointing the detector towards objects that may move in the wind, such as curtains, tall plants etc.



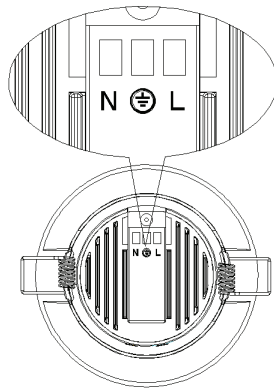
INSTALLATION

- Unload the cover which is at the bottom of the sensor.
- Loose the screws in the connection terminal, and then connect the power to connection terminal of sensor according to connection-wire diagram.
- Install back the cover into the original location.
- Fold the metal spring of the sensor upwards, until they are in “I” position with sensor, and then put the sensor into the hole or installation box which is on the ceiling and has the similar size with the sensor. Releasing the spring, the sensor will be set in this installation position.
- After finishing installing, turn on the power and then test it.

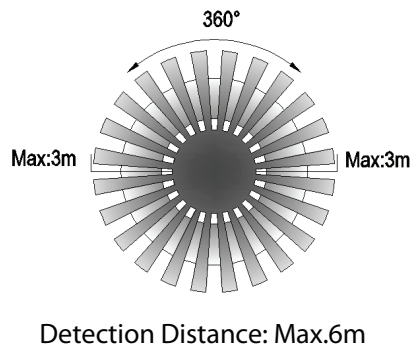
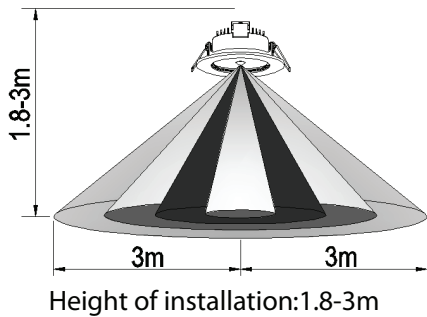


CONNECTION-WIRE DIAGRAM:

(See the right figure)

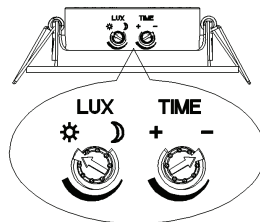


SENSOR INFORMATION:



TEST:

- Turn the TIME knob anti-clockwise on the minimum (-). Turn the LUX knob clockwise on the maximum (sun);
- Switch on the power; the lamp will have no signal at the



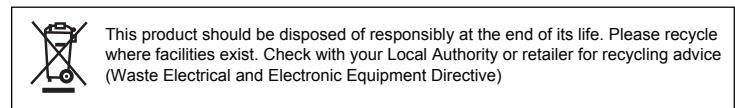
beginning. After Warm-up 30sec, the lamp can start work. If it receives the induction signal, the lamp will turn on. While there is no another induction signal any more, the lamp should stop working within 10sec±3sec and the lamp would turn off.

- Turn LUX knob anti-clockwise on the minimum (moon). If the ambient light is more than 3LUX, the lamp would not work. If the ambient light is less than 3LUX (darkness), the sensor would work. Under no induction signal condition, the lamp should stop working within 10sec±3sec.

Note: when testing in daylight, please turn LUX knob to ☀ (SUN) position, otherwise the sensor lamp could not work!

SOME PROBLEM AND SOLVED WAY:

- The load does not work:
 - a. Please check if the connection of power source and load is correct.
 - b. Please check if the load is good.
 - c. Please check if the settings of working light correspond to ambient light.
- The sensitivity is poor:
 - a. Please check if there is any hindrance in front of the detector to affect it to receive the signals.
 - b. Please check if the ambient temperature is too high.
 - c. Please check if the induction signal source is in the detection field.
 - d. Please check if the installation height corresponds to the height required in the instruction.
 - e. Please check if the moving orientation is correct.
- The sensor can not shut off the load automatically:
 - a. Please check if there is continual signal in the detection field.
 - b. Please check if the time delay is set to the maximum position.
 - c. Please check if the power corresponds to the instruction.



HELPLINE

If you receive this item with parts broken or missing, please telephone: **0333 0050077**

Please have ready your name, address, tel. no., product reference, where purchased and parts required. An answering service is in operation outside office hours and during busy periods.

We regret that we are unable to give advice on internal house wiring.
Cascade Holdings Ltd, Gorse Mill, Gorse Street, Chadderton, Oldham. OL9 9RJ