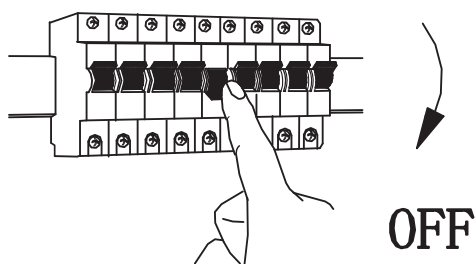


# Minerva Metal-Framed Box Lantern

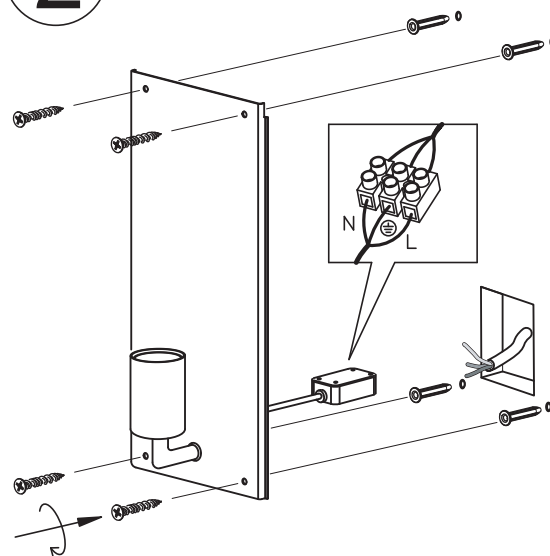
**ZINC**  
OUTDOOR

INS ZN 20944 - B

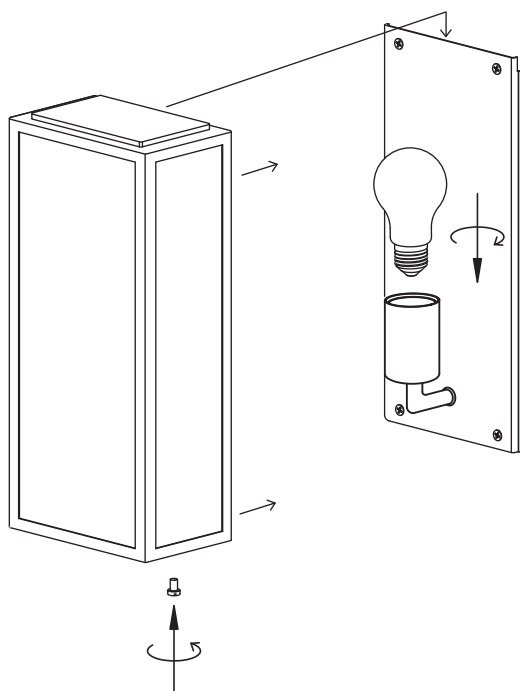
1



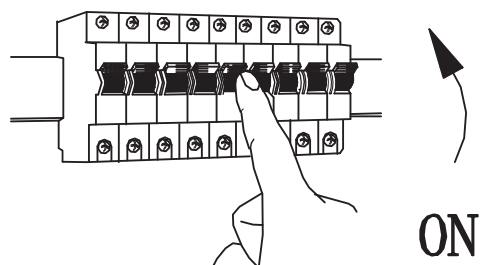
2



3



4



Please take time to read this leaflet carefully and retain it for future reference.