

Wired and Wireless Detection xcel PIRs



The XCEL series of detectors is a series of wired and wireless standard and pet tolerant PIRs. The XCELR and XCELRPT take two standard AA batteries available from any retailer. Conveniently, fewer site visits to change batteries will be required as the battery life is increased to 40 months using standard AA batteries.

At a glance...

Fit radio PIRs where you want to

Advanced design has led to 30% radio range improvement

Greater performance for improved security

Consistency of coverage considerably improved due to the new design of spherical lens, five layers of beams and dual element sensor. The XCELRPT responds twice as quickly as the previous radio PIRs whilst maintaining pet tolerance up to 25Kg

Carry one detector for all installations

Radio detectors are compatible with all current Scantronic panels as well as legacy alarm panels with 868MHz radio capability

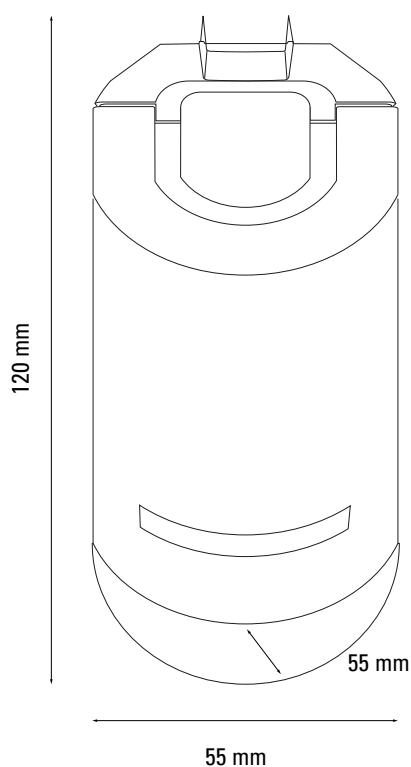


Powering Business Worldwide

Scantronic product data sheet

Product specification

Feature	Wired PIRS	Wireless PIRS
Product code	XCELW: Wired PIR XCELWPT: Wired PIR Pet tolerant	XCELR: Wireless PIR XCELRPT: Wireless PIR Pet tolerant
Weight		150g
Material		Plastic
Battery	N/a	1.5v AA alkaline x 2
Connection	Wired	Radio
Environmental class		Class II
Security grade		Grade 2
Radio Frequency	n/a	868.6625 MHz
Tamper protection		Yes
Indication		Optical
Humidity		up to 95%
Operating temperature		-10°C to +55°C
Pet tolerance	Tolerant to pets up to 25kg (XCELWPT)	Tolerant to pets up to 25kg (XCELRPT)
Dimensions	LxWxD 120mm x 55mm x 55mm	



Compare product compatibility with our easy to read chart: www.eaton.com/security-works-with

Eaton
Electrical Sector
EMEA Route de la Longeraie 7
1110 Morges, Switzerland

Eaton Electrical Products Ltd
Security House,
Vantage Point Business Village,
Mitcheldean, Gloucestershire
GL17 0SX

Tel: +44 (0)1594 545 400
Email: securitysales@eaton.com
Web: www.myscantronic.com

Eaton is a registered trademark of Eaton Corporation.

All other trademarks are property of their respective owners.