

**5** 5 Years  
Product Warranty  
UK Only

**3** 3 Years  
On-Site Warranty  
Main-land UK Only

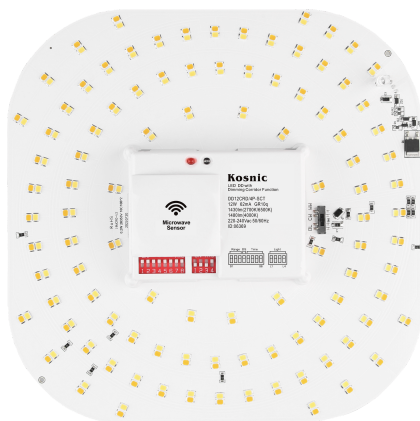


# DD II Sensor

06370 DD18CRD/4P-SCT

## LED DD Integrated Motion Sensor, 18W, 4pin CCT

- Colour temperature switchable 2700K/4000K/6500K
- Replacement for 16w, 28w, 38w fluorescent DD
- Save energy by up to 65%
- lamps used with magnetic ballast
- Compatible with Kosnic emergency module for instant conversion
- Flicker free



### Overview

The Kosnic range of LED DD lamps takes a fresh approach to functional lighting with a design philosophy offering plug-in emergency packs and optional microwave sensor versions so that there are no barriers to retrofitting LEDs in commercial fittings. The products bring the energy saving capabilities of LED technology to the



### General Information

Ambient Temperature Range (°C)	-20°C to 40°C
Nominal Lifetime (h)	30,000 h
Installation Area	Internal

### Technical Summary

Product Code	DD18CRD/4P-SCT
Input Voltage Supply	220-240Vac 50/60Hz
Default Power	18 W
Power Factor	0.86
Default CCT	4,000 K
Settable Colour Temperatures	2700k, 4000k, 6500k
CRI	83
Dimmable	N
Lumens Output Maximum	2,200 lm
Maximum Efficiency	122 lm/W
L80B10 Lifetime (h) @Ta 25 °C	54,000 h
Nominal Lifetime (h)	30,000 h
Weight	0.2Kg
Dimensions (L x W x D) (mm)	38xØ192



Kosnic Lighting



KosnicUK



KosnicLightingUK



KosnicUK

Tel: 01635 523 713

Email: [sales@kosnic.com](mailto:sales@kosnic.com)

[Kosnic.com](http://Kosnic.com)

**5** 5 Years  
Product Warranty  
UK Only

**3** 3 Years  
On-Site Warranty  
Main-land UK Only

# DD II Sensor



06370 DD18CRD/4P-SCT

## Accessories

Product Code	Description	Type
DDLAMPHLD	LED DD Lamp holder for 4pin GR10q	Housing

Settable (Default in Bold)	Variable	
Rated Power (W)	CCT (K)	Total Luminous Flux (lm)
18	2700	2100
<b>18</b>	<b>4000</b>	<b>2200</b>
18	6500	2100

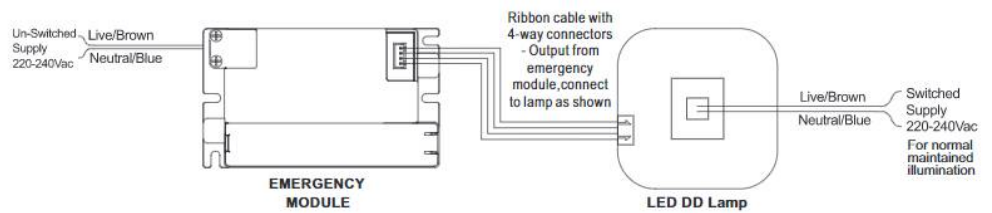
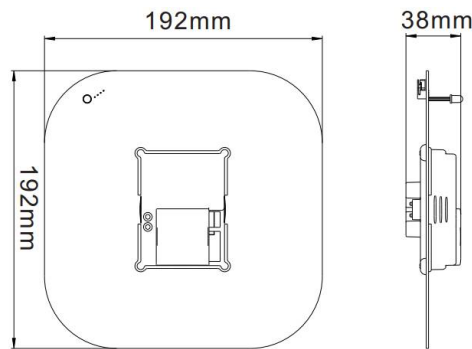
## Overview

The Kosnic range of LED DD lamps takes a fresh approach to functional lighting with a design philosophy offering plug-in emergency packs and optional microwave sensor versions so that there are no barriers to retrofitting LEDs in commercial fittings. The products bring the energy saving capabilities of LED technology to the



## General Information

Ambient Temperature Range (°C)	-20°C to 40°C
Nominal Lifetime (h)	30,000 h
Installation Area	Internal



Kosnic Lighting



KosnicUK



KosnicLightingUK



KosnicUK

Tel: 01635 523 713

Email: sales@kosnic.com

Kosnic.com