

# CFP 8 zone repeater. Max 8 per system. Max. 2 x 3.2Ah batteries

Part No. **CFP760**



## Overview

Can be used to repeat the functions of a master CFP standard or AlarmSense 2-8 zone fire panel at remote parts of site (e.g. all potential fire service entrances).

Up to 8 repeaters per CFP master.

Includes its own Mains power supply that requires its own standby battery supply.

Provides the user with access to all AL1 and AL2 functions.

Master/Repeater communication achieved using CFP761 network driver cards (one CFP761 is supplied with the Repeater, an additional CF761 card is required at the master CFP).

Communicates over screened two-wire fire resistant cable.

Total repeater network cable length should not exceed 1KM.

Attractive flush or surface mountable plastic lid and enclosure - no bezel required.

## Technical Specifications

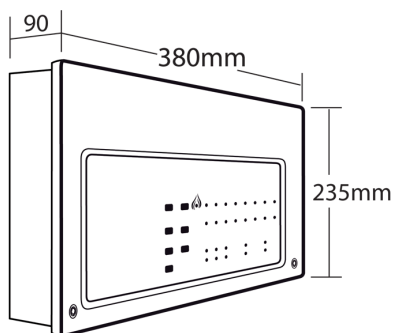
Compatibility	Compatible with C-TEC's CFP Standard and CFP AlarmSense panels. (CFP Economy panels cannot be extended with this product).
Mains supply	230V 50/60Hz.
Internal power supply	19V-28.5V (27V nominal).
Max battery size and type	2 x 12V 2.1Ah VRLA connected in series for 72 hour standby. 2 x 12V 1.2Ah for 24 hours.
Max. network cable length	1KM.
Product dimensions (mm)	380 W x 235 H x D 96mm.
Construction & finish	Plastic lid and base; RAL7035 textured
IP Rating	IP30.
Weight	1.75kg (without batteries)
Operating conditions/temperature	-5°C to +40°C. Max relative humidity: 95%.



T 01942 322744 E sales@c-tec.co.uk  
F 01942 829867 W www.c-tec.com



C-TEC, Challenge Way, Martland Park, Wigan, WN5 0LD United Kingdom



T 01942 322744 E sales@c-tec.co.uk  
F 01942 829867 W www.c-tec.com



C-TEC, Challenge Way, Martland Park, Wigan, WN5 0LD United Kingdom