

PRODUCT CODE: CL5G
CONLOK® MALLEABLE CONDUIT BOX

DESCRIPTION

20mm Malleable Conlok® Intersection Conduit Box

FINISH

Hot Dipped Galvanised

MATERIAL

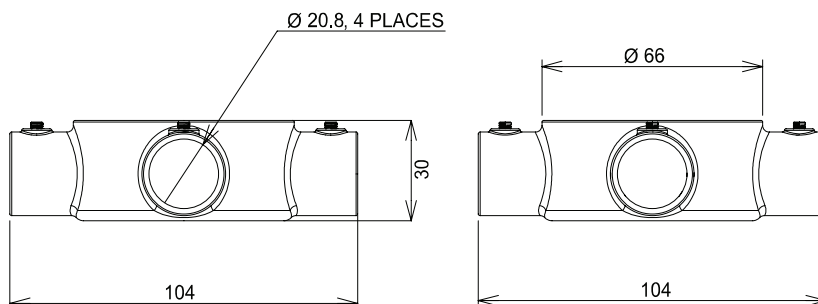
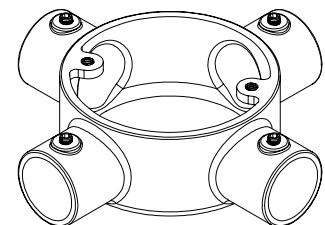
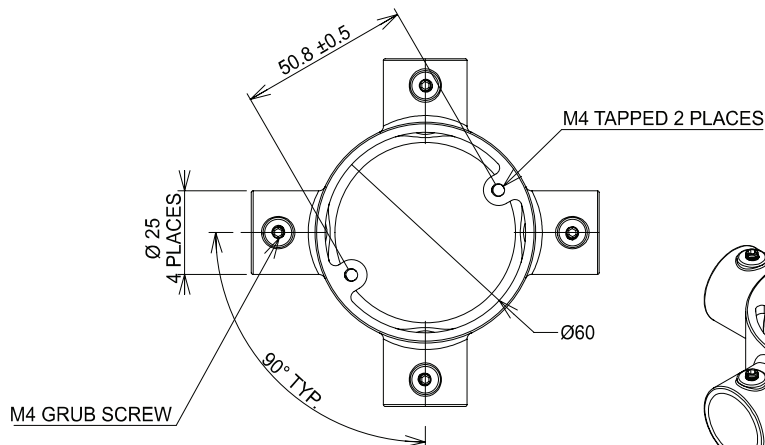
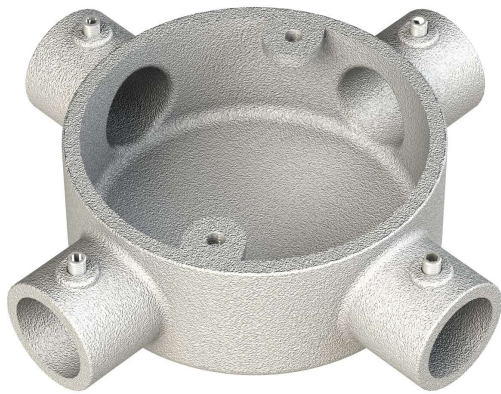
Malleable Iron

PACKAGING

Packed in qty 10

ADDITIONAL NOTES

Conforms to BS EN61386-21:2004
Supplied with 12.9 Grade Grub Screw
1 x Allen key is supplied in each inner box



⊕ Values are nominal and with a general tolerance ±5% unless otherwise specified