

## Connector - with screwless terminals, for harsh applications



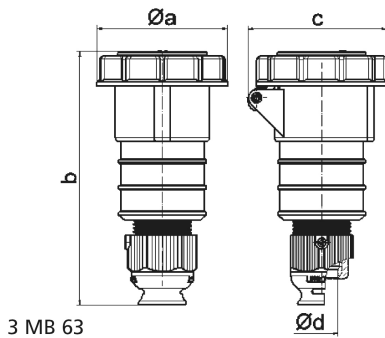
| Product description           |                            |
|-------------------------------|----------------------------|
| BALS-Prd.-Nr                  | 31245                      |
| EAN                           | 4024941312455              |
| product category (PG)         | Connector QUICK-CONNECT TE |
| current (A)                   | 32A                        |
| number of poles (P99)         | 4p                         |
| number of poles (P)           | 3P+PE                      |
| position of earth contact (H) | 6 h                        |
| voltage (V)                   | 380 up to 415V             |

| Product description         |  |
|-----------------------------|--|
| frequency (HZ)              | 50 and 60Hz  |
| protection degree (SA)      | IP67   |
| colour code 1 (KF1)         | red RAL 3000   |
| Colour of appliance         | Hinged lid red RAL 3000, Enclosure red RAL 3000, Bayonet ring grey RAL 7035, Cable gland grey RAL 7035   |
| connection design (AT)      | screwless spring terminals as cage clamp with Kontex-contact   |
| maximum conductor size (LQ) | 6,0 qmm  |
| cable entry (KE)            | Cable gland  |
| Height                      | 198mm  |
| Width                       | 94mm   |
| Depth                       | 97mm   |
| material of enclosure (GM)  | Polyamide  |
| contact                     | The contact carrier is made of high temperature resistant material, the contacts are brass nickel plated |

| Additional technical information |  |
|----------------------------------|--|
|                                  | For cable diameter from 11 up to max. 23,5 mm, Multi-Grip cable gland with gasket, integrated cable clamp and additional water evacuation openings |

| Logistics data |                 |
|----------------|-----------------|
| Weight/pcs     | 0.35 kg / Piece |
| Packaging      | Carton          |

| Logistics data |               |
|----------------|---------------|
| Content amount | 10 ST         |
| EAN            | 4024941958349 |
| Length         | 325 mm        |
| Width          | 217 mm        |
| Height         | 210 mm        |
| Weight         | 3.706 kg      |
| Volume         | 13,588.4 ccm  |



| Ampere                     | 16    | 16    | 16    | 32    | 32    | 32    |
|----------------------------|-------|-------|-------|-------|-------|-------|
| Polzahl                    | 3     | 4     | 5     | 3     | 4     | 5     |
| a ø                        | 70,5  | 78,0  | 86,5  | 94,0  | 94,0  | 101,5 |
| b                          | 161,0 | 161,0 | 168,0 | 196,0 | 196,0 | 200,0 |
| c                          | 77,0  | 83,0  | 93,0  | 99,0  | 99,0  | 107,0 |
| d ø                        | 18,0  | 18,0  | 21,0  | 23,0  | 23,0  | 27,0  |
| Leiter mm <sup>2</sup> min | 1     | 1     | 1     | 2,5   | 2,5   | 2,5   |
| Leiter mm <sup>2</sup> max | 2,5   | 2,5   | 2,5   | 6     | 6     | 6     |
|                            |       |       |       |       |       |       |
|                            |       |       |       |       |       |       |
|                            |       |       |       |       |       |       |
|                            |       |       |       |       |       |       |