

Plug - with screwless terminals, for harsh applications



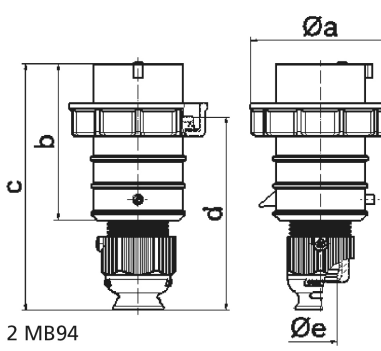
| Product description | |
|-------------------------------|-----------------------|
| BALS-Prd.-Nr | 21349 |
| EAN | 4024941213493 |
| product category (PG) | QUICK-CONNECT TE plug |
| current (A) | 16A |
| number of poles (P99) | 4p |
| number of poles (P) | 3P+PE |
| position of earth contact (H) | 6 h |
| voltage (V) | 380 up to 415V |
| frequency (HZ) | 50 and 60Hz |

| Product description | |
|-----------------------------|--|
| protection degree (SA) | IP67 |
| colour code 1 (KF1) | red RAL 3000 |
| Colour of appliance | Housing cover red RAL 3000, Collar red RAL 3000, Cable gland grey RAL 7035 |
| connection design (AT) | screwless spring-clamp technology |
| maximum conductor size (LQ) | 2,5 qmm |
| cable entry (KE) | Cable gland |
| Height | 146mm |
| Width | 79mm |
| Depth | 79mm |
| material of enclosure (GM) | Polyamide |
| contact | The contact carrier is made of high temperature resistant material, the contacts are brass nickel plated |

| Additional technical information | |
|----------------------------------|---|
| | For cable diameter from 8 up to max. 18 mm, Multi-Grip cable gland with gasket, integrated cable clamp and additional water evacuation openings |

| Logistics data | |
|----------------|------------------|
| Weight/pcs | 0.173 kg / Piece |
| Packaging | Bag |
| Content amount | 1 ST |
| EAN | 4024941213493 |

| Logistics data | |
|----------------|---------------|
| Length | 79 mm |
| Width | 79 mm |
| Height | 146 mm |
| Weight | 0.174 kg |
| Volume | 911.186 ccm |
| Packaging | Carton |
| Content amount | 10 ST |
| EAN | 4024941941181 |
| Length | 245 mm |
| Width | 177 mm |
| Height | 185 mm |
| Weight | 1.863 kg |
| Volume | 7,140 ccm |



| Ampere Polzahl | 16 3 | 16 4 | 16 5 | 32 3 | 32 4 | 32 5 |
|----------------|---------|---------|---------|---------|---------|---------|
| a ø | 70,0 | 78,0 | 86,0 | 94,0 | 94,0 | 101,0 |
| b | 95,0 | 95,0 | 97,0 | 118,0 | 118,0 | 117,0 |
| c | 145,0 | 145,0 | 152,0 | 178,0 | 178,0 | 181,0 |
| d | 111,0 | 111,0 | 119,0 | 136,0 | 136,0 | 138,5 |
| e ø | 18,0 | 18,0 | 21,0 | 23,0 | 23,0 | 27,0 |
| Leiter mm² min | 1 | 1 | 1 | 2,5 | 2,5 | 2,5 |
| Leiter mm² max | 2,5 | 2,5 | 2,5 | 6 | 6 | 6 |
| | | | | | | |
| | | | | | | |
| | | | | | | |
| | | | | | | |

2 MB94