

### Ceiling-mounted motion detectors - 1-channel

## PD3N-1C



white mat, similar to  
RAL9010 , Part No. 92190

white mat, similar to  
RAL9010 , Part No. 92186

white mat, similar to  
RAL9010 , Part No. 92196

### Product Information

- Remote control-capable ceiling motion detector
- One channel for light switching
- Special optical system for detection of even the smallest movements
- Uninterrupted parallel circuit detection of several detectors
- Manual switching via push-button possible
- Additional functions can be set up using the optional remote control.
- Factory settings 10 min and 500 lux
- **Application examples:**  
corridors/hallways, staircases, toilets, equipment rooms

### Technical Data

<b>Voltage:</b>	110 - 240 V AC 50 / 60 Hz
<b>Dimensions:</b>	SM= Ø 106 x 53 mm FM= Ø 106 x 63 mm FC= Ø 83 x 81 mm
<b>Power consumption:</b>	approx. 0.5 W
<b>Detection area:</b>	horizontal 360° (Ceiling mounting)
<b>Range:</b>	max. Ø 10 m across max. Ø 6 m towards max. Ø 4 m seated

**Monitored area (tangential movement):** 78 m<sup>2</sup> / 2.5 m mounting height

**Mounting height min./max./recommended:** 2 m / 5 m / 2.5 m

**Degree / class of protection:**  
SM= IP44 / Class II  
FM= IP20 / Class II  
FC= IP23 / Class II

**Ambient temperature:** -25 °C to +50 °C

**Housing:** polycarbonate, UV-resistant

#### **Channel 1 (lighting control)**

**Switching power:**  
2300 W, cos φ = 1  
1150 VA, cos φ = 0.5  
300 W LED  
max. inrush current I<sub>p</sub> (20 ms) = 165 A  
max. inrush current I<sub>p</sub> (200 μs) = 800 A

**Type of contact:** 1x μ-contact, NO contact with tungsten pre-make contact

**Follow-up time:** 15 sec - 30 min, Pulse

**Switch-on threshold:** 10 - 2000 Lux

---

## Description

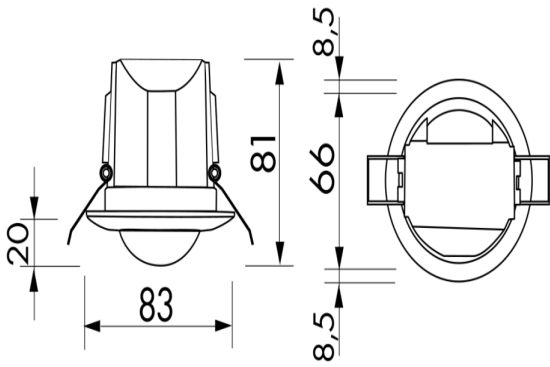
<b>Description</b>	<b>Colour</b>	<b>Part number</b>	<b>EAN number</b>
PD3N-1C-SM	white mat, similar to RAL9010	92190	4007529921904
PD3N-1C-FM	white mat, similar to RAL9010	92186	4007529921867
PD3N-1C-FC	white mat, similar to RAL9010	92196	4007529921966

---

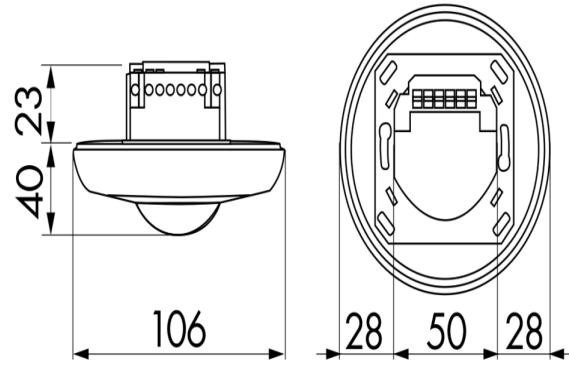
## Accessory

<b>Description</b>	<b>Colour</b>	<b>Part number</b>	<b>EAN number</b>
IR-PD3/4N-1C-E	-	93110	4007529931101
IR-PD3N	-	92105	4007529921058
IR-PD-Mini	-	92159	4007529921591
Wire basket BSK (Ø 200 x 90 mm)	white	92199	4007529921997
RC-Arc extinction kit	white	10880	4007529108800
Mini-RC-Arc extinction kit	black	10882	4007529108824
Square design frame PD3N-FC	white mat, similar to RAL9010	92991	4007529929917

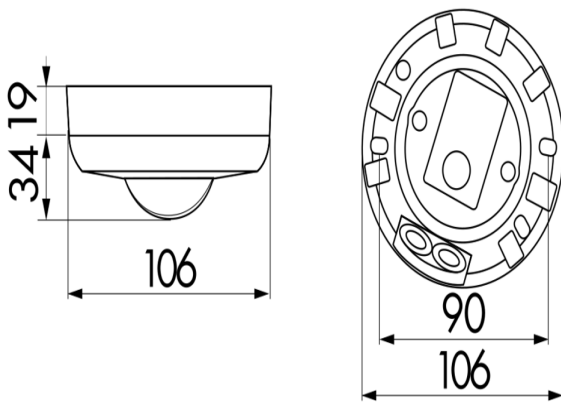
Description	Colour	Part number	EAN number
BLE-IR-Adapter	black	93067	4007529930678



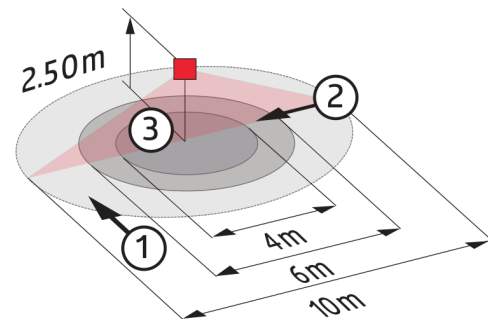
Dimensions 92196



Dimensions 92186

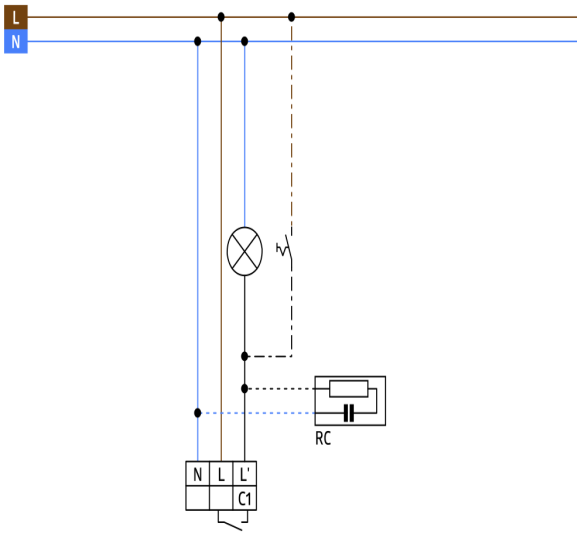


Dimensions 92190



Range diagram

- 1: Walking across
- 2: Walking towards
- 3: Seated activity



Wiring diagrams

---

© 2022 B.E.G. Brück Electronic GmbH