

Ceiling-mounted motion detectors - 1-channel

BL2



white , Part No. 93317

Product Information

- Ceiling motion detector for indoor use with a 360° detection area
- For mounting in suspended ceilings
- One channel for light switching
- Easy parameterising by remote control (optional)
- Basic functions for cost-effective applications
- Ready-to-operate thanks to factory settings
- Accessory for surface mounting and flush mounting available
- Factory setting: High detection sensitivity, follow-up time 3 min, switch-on threshold 500 lux
- **Application examples:**
corridors/hallways, staircases, toilets, equipment rooms

Technical Data

Voltage:	110 - 240 V
Dimensions:	Ø 80 x 61 mm
Power consumption:	0.3 W
Detection area:	horizontal 360° (Ceiling mounting)
Range:	max. Ø 8 m across max. Ø 4.8 m towards max. Ø 3.2 m seated
Monitored area	50 m ² / 2.5 m mounting height

(tangential movement):

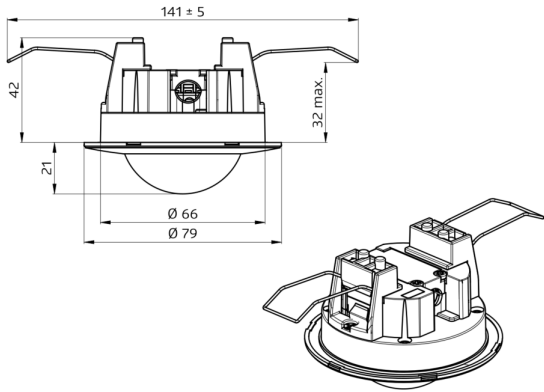
Mounting height min./max./recommended:	2 m / 5 m / 2.5 m
Degree / class of protection:	IP23 / Class II
Ambient temperature:	-25 °C to +50 °C
Housing:	polycarbonate, UV-resistant
Connections and wires:	0.5 - 1.5 mm ² for solid conductors
Switching power:	1000 W, cos ϕ = 1 500 VA, cos ϕ = 0.5 200 W LED
Type of contact:	1x μ -contact, NO contact
Follow-up time:	15 sec - 60 min
Switch-on threshold:	10 - 2000 Lux

Description

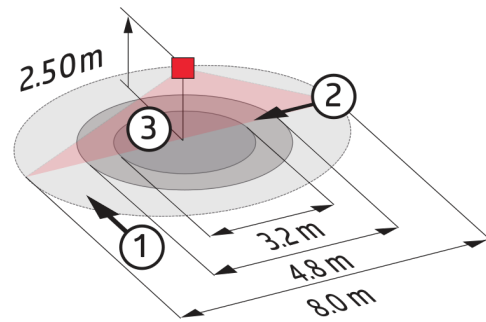
Description	Colour	Part number	EAN number
BL2-FC	white	93317	4007529933174

Accessory

Description	Colour	Part number	EAN number
IR-BL	-	93055	4007529930555
Wire basket BSK (Ø 200 x 90 mm)	white	92199	4007529921997
RC-Arc extinction kit	white	10880	4007529108800
Mini-RC-Arc extinction kit	black	10882	4007529108824
Mounting set BL2-SM	white	93256	4007529932566
Mounting set BL2-FM	white	93251	4007529932511

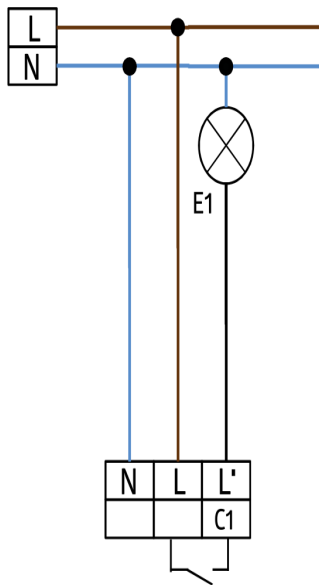


Dimensions 93317

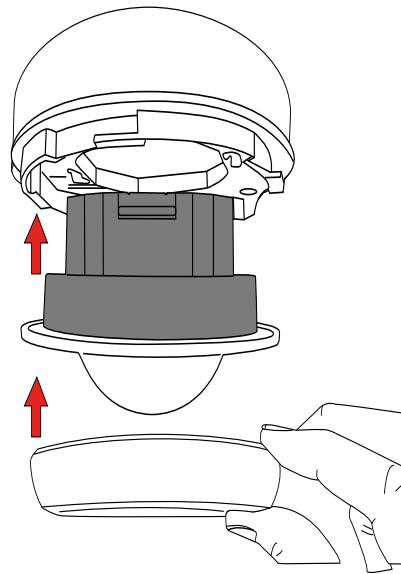


Range diagram

- 1: Walking across
- 2: Walking towards
- 3: Seated activity



Wiring diagrams



Surface-mount version (SM)



Surface-mount version (SM)

© 2022 B.E.G. Brück Electronic GmbH