



## APRILEDP/MINI/CCT



### Features

220-240V IP65 dimmable CCT selectable miniature fire rated performance downlight suitable for residential and hospitality applications

Ultra slim remote driver with loop-in, loop-out push fit terminals provide an easy and efficient installation

Can be used as the sole light source or as a complimentary product to Prism Pro / Prism Pro Anti-Glare

Unique angled LED driver for easy installation through the smaller downlight cut out

Detachable LED driver for fast fix install

Low profile design and arched remote driver allows installation into shallow ceiling voids

Fully tested for 30, 60 and 90 minute ceiling types to meet Part B of Building Regulations

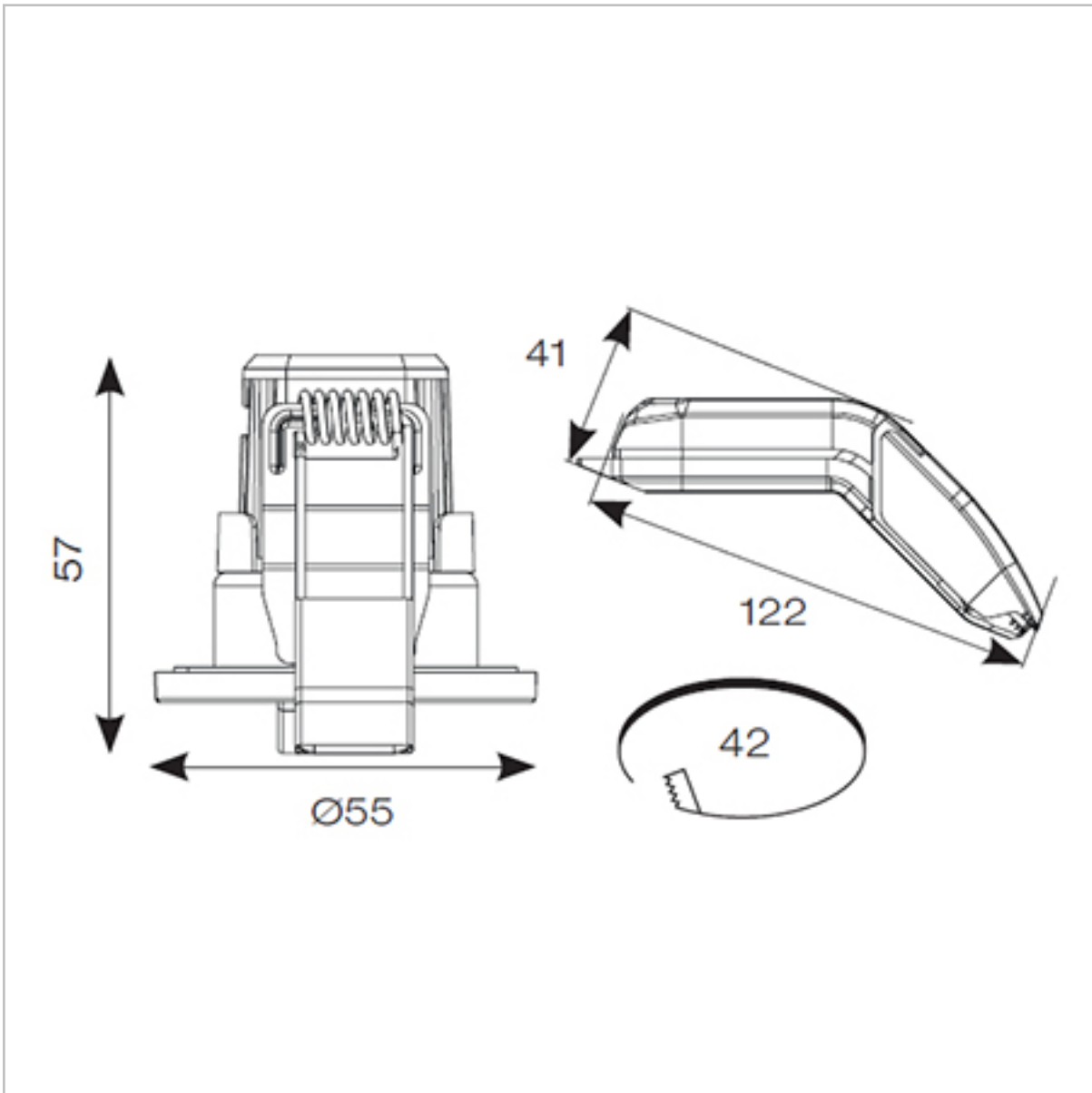
Fully tested to meet Part C (moisture), Part E (acoustic) and Part L (energy) of Building Regulations

## General Information

Lamp Type	LED
Dimmable	Yes
Fire Rated	Yes
IP Rating	IP65
Class Protection	2
Internal / External	Internal
Surface / Recessed / Suspended	Recessed
Lifetime (Hrs)	L70 54,000
Warranty (Years)	5
Diameter (mm)	55
Height (mm)	57
Accessories	APRILEDP/MINIBZ/BLK, APRILEDP/MINIBZ/CH, APRILEDP/MINIBZ/SC, ACFLP/3

## Technical Information

Wattage	5W
Lumens Delivered	450lm (4000K)
Lm/W	90lm (4000K)
Beam Angle	60
CRI	Ra 80
CCT	2700K/3000K/4000K/6000K
Input	220-240V
Hertz	50/60Hz
Operating Temp	-5°C to 25°C
SDCM	6
UGR	29



Datasheet generated from <https://onetimepim.com> last updated Wednesday, May 4, 2022 10:45:01 AM