

## APRILED/WW



## Features

IP65 LED dimmable fire-rated performance downlight for domestic applications

Supplied with matt white bezel as standard.

Integral driver with push-fit loop-in, loop-out terminals for ease and speed of installation.

Fully tested for 30, 60 and 90 minute ceiling types to meet Part B of Building Regulations.

Fully tested to meet Part C (moisture) and Part E (acoustic) of Building Regulations.

Wide 60° beam angle for increased light distribution.

LED lifespan L70 60,000 hours.

## General Information

|                                |  |
|--------------------------------|--|
| Lamp Type                      | LED                                      |
| Colour / Finish                | Matt White                               |
| Fire Rated                     | Yes                                      |
| OCTO Compatibility             | Smart Indoor controller                  |
| IP Rating                      | IP65                                     |
| Class Protection               | 1  |
| Internal / External            | Internal                                 |
| Surface / Recessed / Suspended | Recessed                                 |
| Warranty (Years)               | 5  |
| CE Mark                        | Yes                                      |
| Diameter (mm)                  | 95                                       |
| Height (mm)                    | 102                                      |
| Accessories                    | APRILEDZ/CH, APRILEDZ/SC, AORBLED/DIMMER |

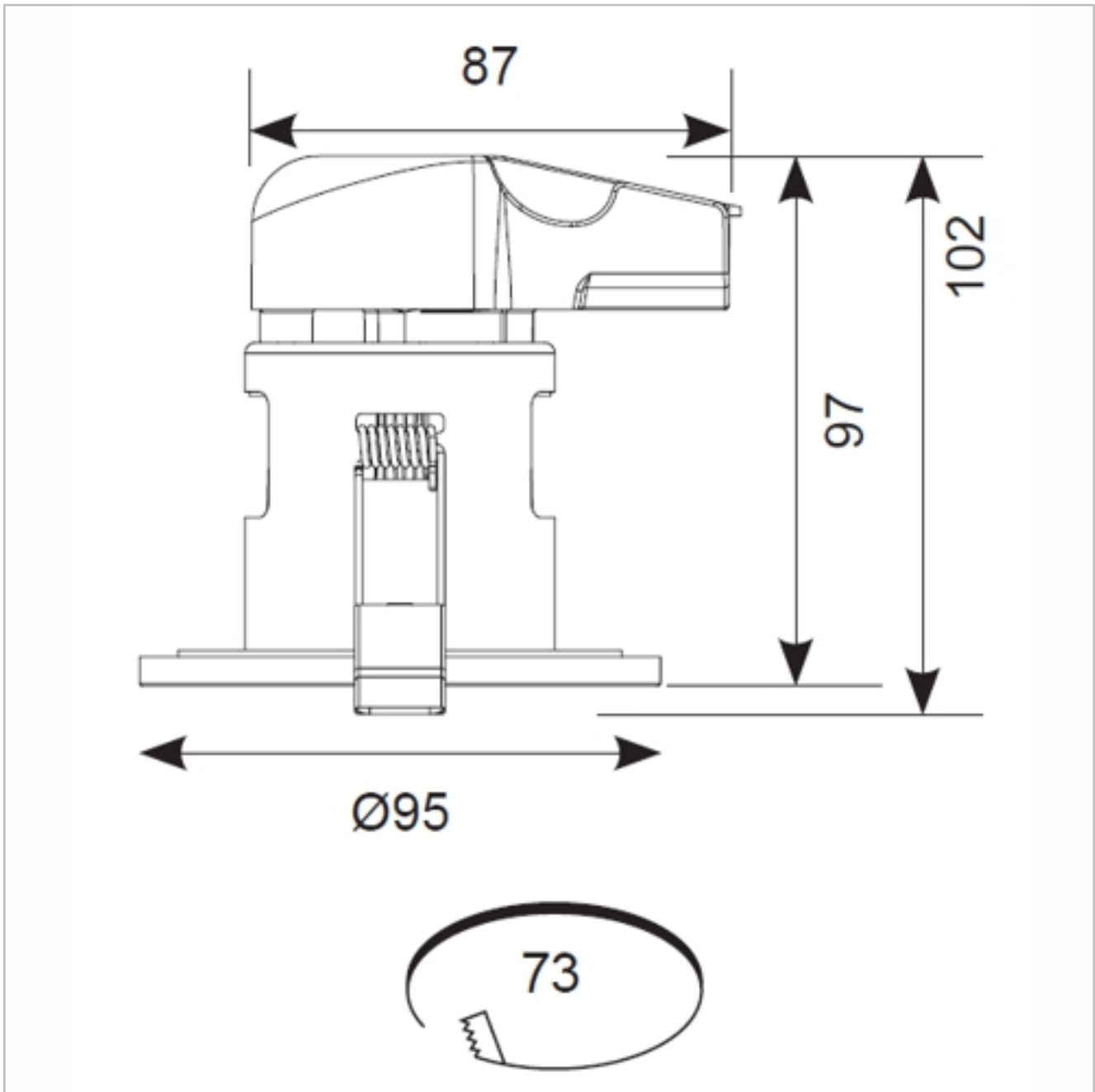
## Technical Information

|                  |              |
|------------------|--------------|
| Wattage          | 7W           |
| Lumens Delivered | 712lm        |
| Lm/W             | 102lm        |
| Beam Angle       | 60           |
| CRI              | Ra 80        |
| CCT              | 3000K        |
| Input            | 230V         |
| Hertz            | 50Hz         |
| Operating Temp   | -5°C to 25°C |

## Technical Data - ETIM - Downlight/spot/floodlight (EC001744)

|  |                  |
|--|------------------|
| Suitable for surface mounting          | No               |
| Suitable for built-in mounting         | Yes              |
| Suitable for wall mounting             | No               |
| Suitable for suspended mounting        | No               |
| Suitable for ceiling mounting          | Yes              |
| Suitable for traverse mounting         | No               |
| Suitable for pedestal/floor mounting   | No               |
| Suitable for light-track mounting      | No               |
| Adjustability                          | Not adjustable   |
| With movement sensor                   | No               |
| With light sensor                      | No               |
| With light source                      | Yes              |
| Suitable for number of lamps           | 1                |
| Colour housing                         | White            |
| Nominal voltage                        | 230-230 V        |
| Control gear included                  | Yes              |
| Light distributor                      | Reflector        |
| Beam angle                             | Wide beam 41-80° |
| Degree of protection (IP)              | IP65             |
| Protection class                       | I                |
| Max. system power                      | 7 W              |
| Colour of light                        | White            |
| Colour temperature                     | 3000-3000 K      |
| Colour rendering index CRI             | 80-89            |
| Rated luminous flux acc. IEC 62722-2-1 | 712 lm           |

|                |          |
|----------------|----------|
| Lamp efficacy  | 102 lm/W |
| Height/depth   | 102 mm   |
| Length         | 87 mm    |
| Outer diameter | 95 mm    |



Datasheet generated from <https://onetimepim.com> last updated Monday, September 6, 2021 12:47:53 PM