



APRILEDP/OCTOW



Features

220-240V IP65 LED WiZ enabled tunable white Fire Rated Downlight

Supplied with matt white bezel as standard

Tunable between 2700K - 6500K via Wiz App and voice control

Remote driver with 2x1.5mm² + CPC loop-in, loop-out colour coded push fit piano terminals provide an easy and efficient installation

Detachable LED driver for fast fix install

Low profile design and remote driver allow installation into shallow ceiling voids

Fully tested for 30, 60 and 90 minute ceiling types to meet Part B of Building Regulations

Fully tested to meet Part C (moisture), Part E (acoustic) and Part L (energy) of Building Regulations

Wide 60° beam angle for increased light distribution

LED lifespan L70 60,000 hours

General Information

Lamp Type	LED
Colour / Finish	Matt White
Fire Rated	Yes
Bluetooth Enabled	Yes
IP Rating	IP65
Class Protection	1
Internal / External	Internal
Surface / Recessed / Suspended	Recessed
Warranty (Years)	5
CE Mark	Yes
Diameter (mm)	90
Height (mm)	55
Accessories	APRILEDPBZ/CH, APRILEDPBZ/SC, APRILEDPBZ/BLK

Technical Information

Wattage	8W
Lumens Delivered	573lm (2700K) - 547lm (6000K)
Lm/W	82lm (2700K) - 78lm (6000K)
Beam Angle	60
CRI	Ra 80
CCT	Tunable White
Input	230V
Hertz	50/60Hz
Operating Temp	-5°C to 25°C

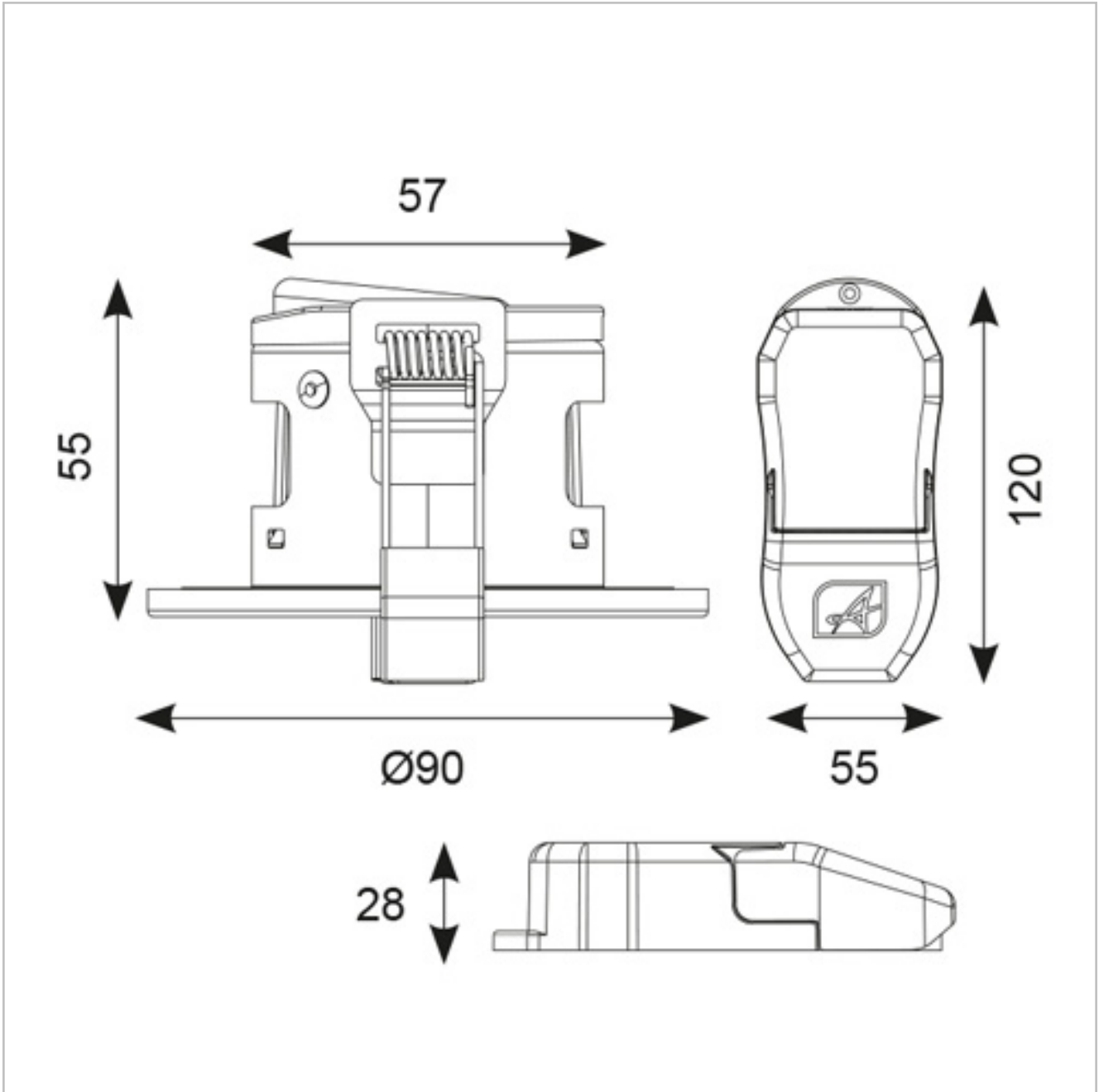


Technical Data - ETIM - Downlight/spot/floodlight (EC001744)

Suitable for surface mounting	No
Suitable for built-in mounting	Yes
Suitable for wall mounting	No
Suitable for suspended mounting	No
Suitable for ceiling mounting	Yes
Suitable for traverse mounting	No
Suitable for pedestal/floor mounting	No
Suitable for light-track mounting	No
Adjustability	Not adjustable
With movement sensor	No
With light sensor	No
With light source	Yes
Suitable for number of lamps	1
Colour housing	White
Nominal voltage	230-230 V
Control gear included	Yes
Beam angle	Wide beam 41-80°
Degree of protection (IP)	IP65
Protection class	I
Max. system power	8 W
Colour of light	White
Colour temperature	2700-6000 K
Colour rendering index CRI	80-89
Luminous flux	547-573 lm
Lamp efficacy	82 lm/W

Height/depth 55 mm

Outer diameter 90 mm



Datasheet generated from <https://onetimepim.com> last updated Monday, September 6, 2021 12:47:22 PM