



# Kingfisher Lighting

## Datasheet

### Columns

A comprehensive range of tubular, conical and hinged columns, for road & transport, car parks, residential and urban landscapes.



#### Experts in columns

- Wide range of columns and masts
- Design facility to help you specify
- Support to match the columns with luminaires and brackets
- Column key and door spares available

#### Maintained stock levels

- Extensive stock of most columns held at our warehouse
- In-house fabrication and finishing options

#### Nation-wide delivery

- Hi-ab equipment to enable fast and safe off-loading
- Fleet fitted with trackers to monitor deliveries
- Helpful drivers who handle the on-site deliveries
- Free delivery on orders over £300 within mainland GB

#### High quality standards

- Designed in accordance with BS EN40
- Manufactured from steel tube to EN10210

#### What to consider when designing with columns

BS EN40 provides a detailed framework for the design of a lighting column and provides key considerations when designing an exterior lighting scheme to ensure the structural integrity of the column.

A lighting column design must take into account (in relationship to mounting height):

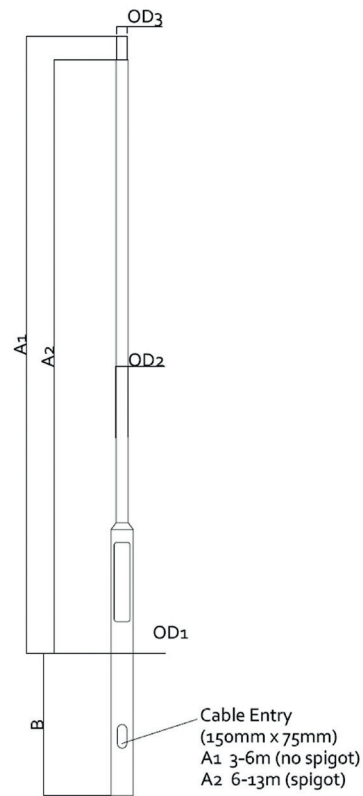
- Weight and windage of the luminaire and bracket
- Wind speed
- Site altitude
- Site terrain and topography

When this information is not readily available, PD 5647:2004 may be used for guidance. This document contains informative data relating to the administrative areas of the UK, providing a rationalised wind loading factor (RWF) for each location. Please contact us for more information.

### Tubular columns (3m - 12m)

A range of tubular lighting columns suitable for road, residential and general amenity areas. Available root mounted or flange plated.

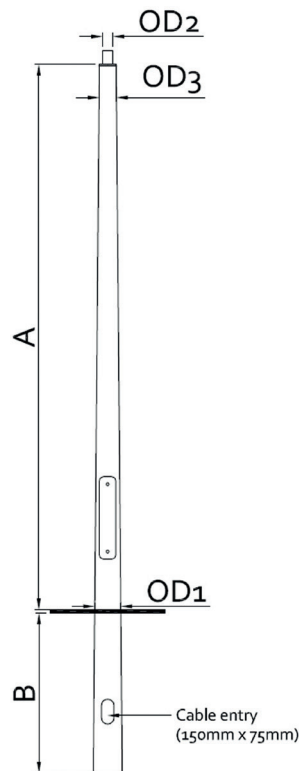
### Tubular



### Conical lighting columns (4m - 8m)

An aesthetic range of conical lighting columns suitable for residential and amenity areas. Available root mounted or flange plated.

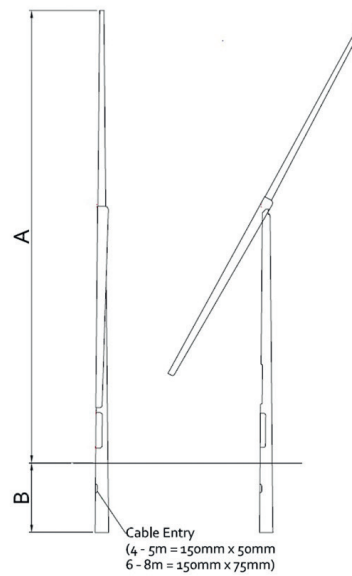
### Conical



## Mid-hinged columns (4m - 15m)

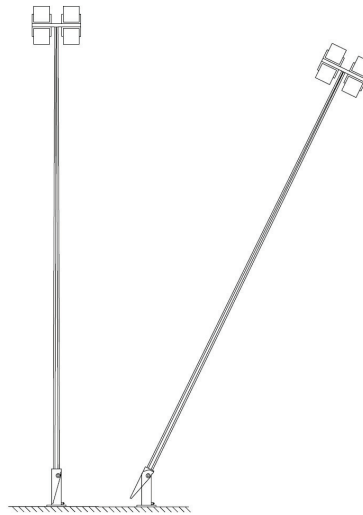
An easy-access range of mid-hinged columns suitable for residential, amenity, rail and industrial areas where conventional access platforms are unsafe or unsuitable. Available root mounted or flange plated. When installing mid-hinged columns, minimum head load is required for the column to hinge.

### Mid-hinged



## Base-hinged columns

Base-hinged columns are an option for cost effective, safe and easy maintenance. The lowering of the column is done quickly and safely using a raising and lowering tool specific to the column. This lowers the column to ground level for easy access to the luminaire. Base-hinged columns are best suited to sites with tight access and where mobile platforms cannot be used such as sports facilities, car parks and footpaths.



## Tubular columns (3-12m)

A range of tubular lighting columns suitable for road, residential and general amenity areas. Available root mounted or flange plated.

Code	A	OD1	OD2	OD3	Door Openings	B	Terrain Category	Max Head Load
Tubular Columns (Root Mounted)								
3CT76	3m	Ø140	Ø76	N/A	500 x 100	800	3	50kg/0.90m <sup>2</sup>
4CT76	4m	Ø140	Ø76	N/A	500 x 100	800	3	50kg/0.50m <sup>2</sup>
5CT76	5m	Ø140	Ø76	N/A	500 x 100	800	3	50kg/0.50m <sup>2</sup>
6CT76	6m	Ø140	Ø76	N/A	500 x 100	1000	3	50kg/0.50m <sup>2</sup>
6CTH89	6m	Ø168	Ø89	Ø76	600 x 115	1000	3	50kg/0.75m <sup>2</sup>
8CT89	8m	Ø168	Ø89	Ø76	600 x 115	1200	2	50kg/0.36m <sup>2</sup>
8CTM114	8m	Ø168	Ø114	Ø101	600 x 115	1200	2	60kg/0.55m <sup>2</sup>
10CT114	10m	Ø168	Ø114	Ø101	600 x 115	1500	2	50kg/0.50m <sup>2</sup>
10CTH140	10m	Ø192	Ø140	Ø127	600 x 115	1500	2	80kg/1.00m <sup>2</sup>
12CTHB140	12m	Ø192	Ø140	Ø127	600 x 115	1700	2	70kg/0.85m <sup>2</sup>

Code	A	OD1	OD2	OD3	Door Openings	B	Terrain Category	Max Head Load	Hole Centres C	Slot Size H	Bolt Code
Tubular Columns (Flange Plated)											
3CT76FP	3m	Ø140	Ø76	N/A	500 x 100	800	3	50kg/0.90m <sup>2</sup>	200	20 x 50	FB001
4CT76FP	4m	Ø140	Ø76	N/A	500 x 100	800	3	50kg/0.50m <sup>2</sup>	200	20 x 50	FB001
5CT76FP	5m	Ø140	Ø76	N/A	500 x 100	800	3	50kg/0.50m <sup>2</sup>	200	20 x 50	FB001
6CT76FP	6m	Ø140	Ø76	N/A	500 x 100	1000	3	50kg/0.50m <sup>2</sup>	200	20 x 50	FB001
6CTH89FP	6m	Ø168	Ø89	Ø76	600 x 115	1000	3	50kg/0.75m <sup>2</sup>	200	24 x 50	FB007
8CT89FP	8m	Ø168	Ø89	Ø76	600 x 115	1200	2	50kg/0.36m <sup>2</sup>	300	29 x 64	FB004
8CTM114FP	8m	Ø168	Ø114	Ø101	600 x 115	1200	2	60kg/0.55m <sup>2</sup>	300	29 x 64	FB004
10CT114FP	10m	Ø168	Ø114	Ø101	600 x 115	1500	2	50kg/0.50m <sup>2</sup>	300	29 x 64	FB004
10CTH140	10m	Ø192	Ø140	Ø127	600 x 115	1500	2	80kg/1.00m <sup>2</sup>	300	29 x 64	FB004
12CTHB140	12m	Ø192	Ø140	Ø127	600 x 115	1700	2	70kg/0.85m <sup>2</sup>	300	29 x 64	FB004

### Conical lighting columns (4-8m)

An aesthetic range of conical lighting columns suitable for residential and amenity areas. Available root mounted or flange plated.

Code	A	B	OD1	OD2	OD3	Door Size	Terrain Category	Max Head Load	Max Windage
4CCS60L	4m	800mm	133mm	60mm	60 x 85	500 x 100	3	30kg	0.5m <sup>2</sup>
5CCS60L	5m	800mm	145mm	60mm	60 x 85	500 x 100	3	35kg	0.5m <sup>2</sup>
6CCS60L	6m	800mm	157mm	60mm	60 x 85	500 x 100	3	40kg	0.5m <sup>2</sup>
8CCS60L	8m	1200mm	168mm	60mm	76mm	500 x 100	2	40kg	0.45m <sup>2</sup>

### Mid-hinged columns (4-8m)

An easy-access range of mid-hinged columns suitable for residential, amenity, rail and industrial areas where conventional access platforms are unsafe or unsuitable for use. Available root mounted or flange plated.

Code	A	Description - Mid-hinged octagonal	B	Max Head Load*	Max Windage	Hole Size L	Flange Size / Code	Bolt Code	Bolt	Winch
Rope Operated										
4MHRL	4m	Root mounted	800	20kg	0.5m <sup>2</sup>					Rope
4MHFPL	4m	Flange plated		20kg	0.5m <sup>2</sup>	200	300mm/18mm	M16 x 500	FB001	Rope
5MHRL	5m	Root mounted	800	20kg	0.5m <sup>2</sup>					Rope
5MHFPL	5m	Flange plated		20kg	0.5m <sup>2</sup>	200	300mm/18mm	M16 x 500	FB001	Rope
6MHRL	6m	Root mounted	1000	20kg	0.5m <sup>2</sup>					Rope
6MHFPL	6m	Flange plated		20kg	0.5m <sup>2</sup>	200	300mm/18mm	M16 x 500	FB001	Rope
Winch Operated										
4MHRL	4m	Root mounted	800	35kg	0.5m <sup>2</sup>					KLWINCHL
4MHFPL	4m	Flange plated		35kg	0.5m <sup>2</sup>	200	300mm/18mm	M16 x 500	FB001	KLWINCHL
5MHRL	5m	Root mounted	800	35kg	0.5m <sup>2</sup>					KLWINCHL
5MHFPL	5m	Flange plated		35kg	0.5m <sup>2</sup>	200	300mm/18mm	M16 x 500	FB001	KLWINCHL
6MHRL	6m	Root mounted	1000	35kg	0.5m <sup>2</sup>					KLWINCHL
6MHFPL	6m	Flange plated		35kg	0.5m <sup>2</sup>	200	300mm/18mm	M16 x 500	FB001	KLWINCHL
8MHF1	8m	Flange plated		70kg	0.98m <sup>2</sup>	300	420mm/25mm	M24 x 820	FB001	KLWINCHL
8MHRL1	8m	Root mounted	1200	135kg	0.70m <sup>2</sup>				FB004	KLWINCHSHD <100kg KLWINCHSHD2 >100kg

Above weight and windage area figures are based on a medium terrain category. Other sizes & variations available on request.

\*Please note maximum carrying weight of a 4m - 6m mid - hinged column is 20kg with a rope or 35kg with a winch.